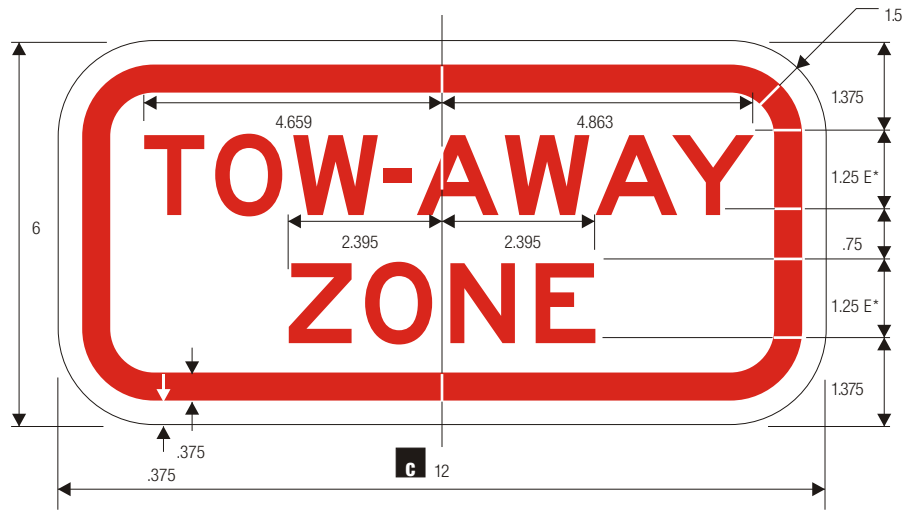


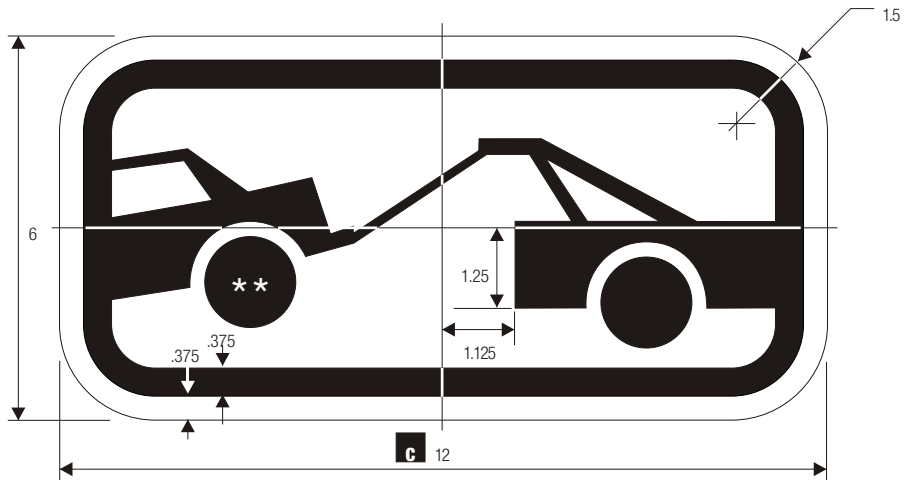
COLORS:  
 LEGEND — RED (RETROREFLECTIVE)  
 BACKGROUND— WHITE (RETROREFLECTIVE)



R7-201  
 TOW AWAY ZONE

COLORS:  
 LEGEND — BLACK  
 BACKGROUND— WHITE (RETROREFLECTIVE)

SHA \*\* FOR SYMBOL DESIGN REFER TO THE APPENDIX-GRID SECTION FROM FHWA'S STANDARD HIGHWAY SIGNS BOOK-APPENDIX SECTION



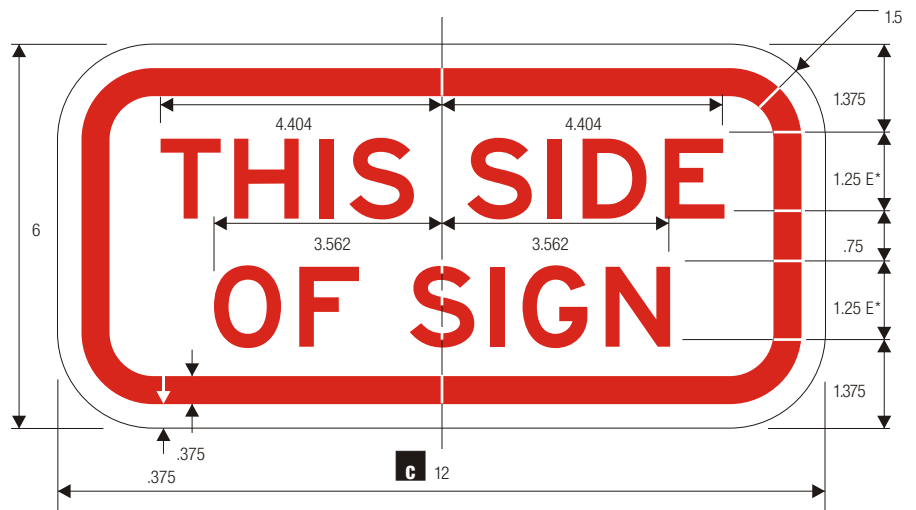
R7-201a  
 TOW AWAY ZONE

SHA REFERENCES

MdMUTCD SECTION - 2B.39, 2B.40, 2B.41, 7B.14

COLORS:  
 LEGEND — RED (RETROREFLECTIVE)  
 BACKGROUND— WHITE (RETROREFLECTIVE)

\*Series 2000 Standard Alphabets.



R7-202  
 THIS SIDE OF SIGN