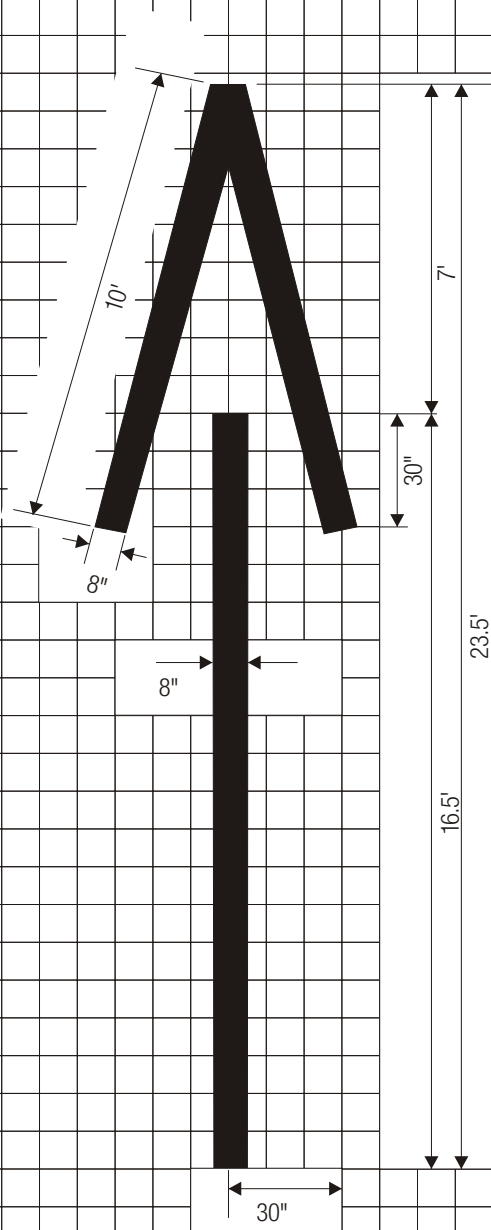


Freeway, Expressway and Ramp Pavement Arrow



Preferential Lane Symbol

