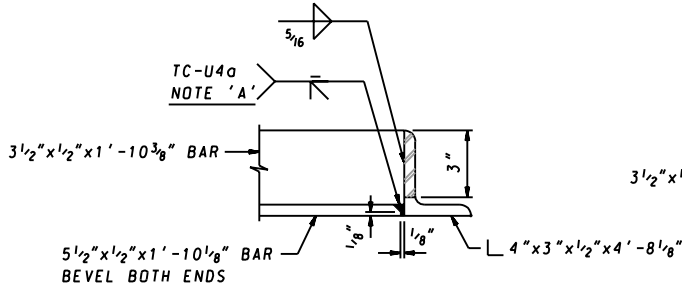
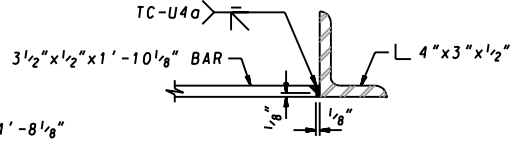


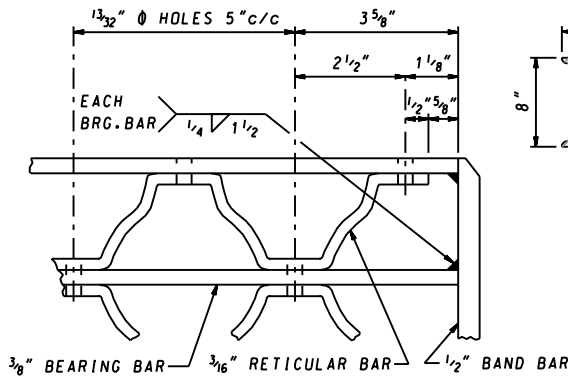
NOTE 'A' - WELD 5 1/2" x 1/2" BAR TO 4" x 3" x 1/2" L BEFORE WELDING 3 1/2" x 1/2" BAR



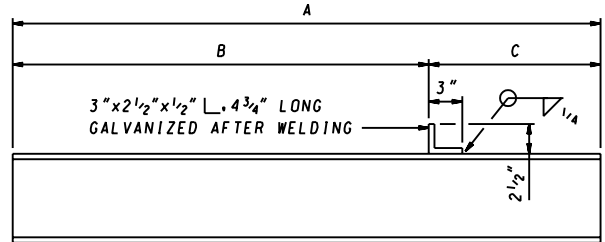
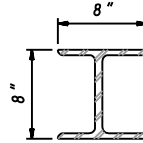
SECTION C-C



SECTION D-D
(GRATE NOT SHOWN)



GRATING DETAIL



SUPPORT BEAM
W8x31 (GALVANIZED)

INLET TYPE	DIMENSIONS		
	A	B	C
NR	3' - 7 3/8"	2' - 5 5/8"	1' - 1 3/4"
NRM	5' - 5 7/8"	2' - 5 5/8"	3' - 0 1/4"

SPECIFICATION	CATEGORY CODE ITEMS	
APPROVED	<i>Kirk G. McCall</i> DIRECTOR - OFFICE OF HIGHWAY DEVELOPMENT	
	APPROVAL • SHA REVISIONS	APPROVAL • FEDERAL HIGHWAY ADMINISTRATION
	APPROVAL 2-28-75	APPROVAL 5-12-75
	REVISED 10-1-01	REVISED 9-21-87
	REVISED	REVISED
	REVISED	REVISED

Maryland Department of Transportation
STATE HIGHWAY ADMINISTRATION
STANDARDS FOR HIGHWAYS AND INCIDENTAL STRUCTURES

STANDARD NR & NRM INLET
FRAME & GRATE

STANDARD NO. MD 374.13