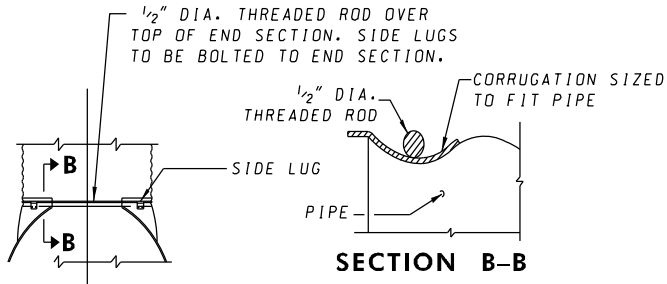
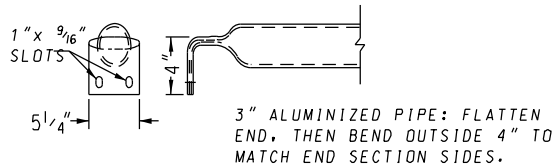


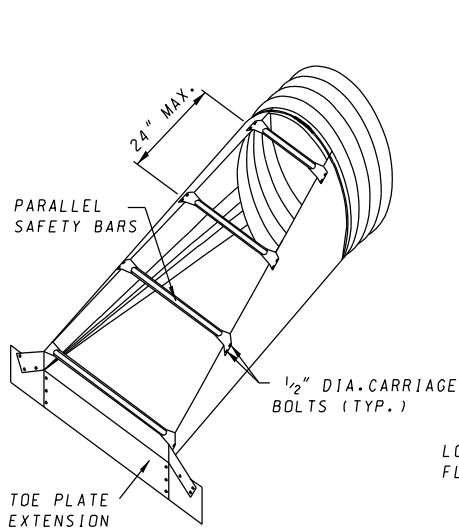
TYPE #1 CONNECTOR DETAIL



TYPE #2 CONNECTOR DETAILS



END TREATMENT OF SAFETY BARS DETAIL

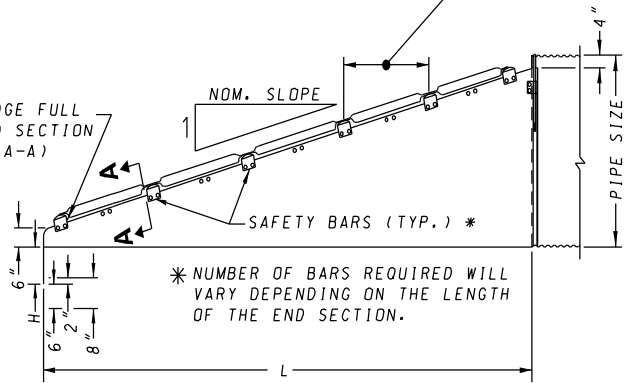


PARALLEL DRAINAGE STRUCTURE

USE WITH SINGLE PIPE INSTALLATIONS 30" DIA. OR LARGER. USE WITH MULTIPLE PIPE INSTALLATIONS 15" DIA. OR LARGER

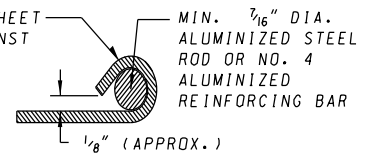
30" MAX. SPAN FOR CROSS DRAINAGE STRUCTURE
24" MAX. SPAN FOR PARALLEL DRAINAGE STRUCTURE

REINFORCED EDGE FULL LENGTH OF END SECTION (SEE SECTION A-A)



SIDE VIEW

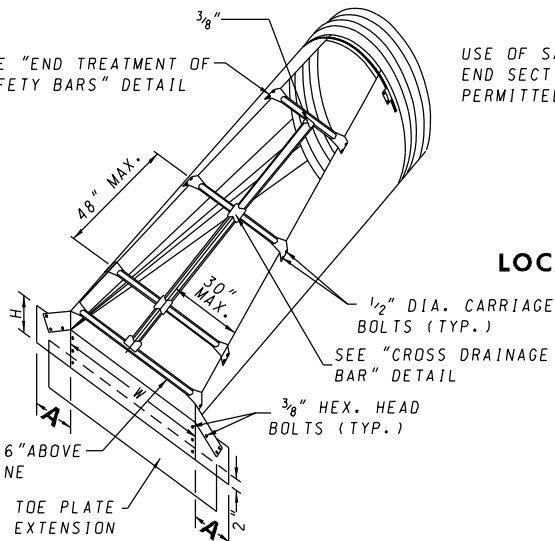
EDGE OF SIDEWALL SHEET ROLLED SNUGLY AGAINST STEEL ROD



SECTION A-A

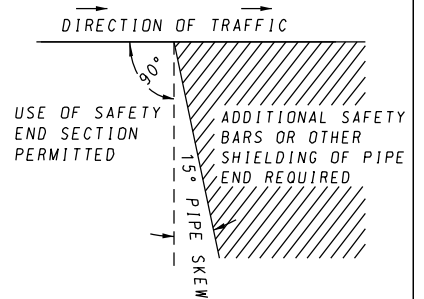
SEE "END TREATMENT OF SAFETY BARS" DETAIL

LOCATE 6" ABOVE FLOW LINE
TOE PLATE EXTENSION

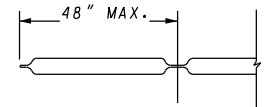


CROSS DRAINAGE STRUCTURE

USE WITH PIPE INSTALLATIONS 36" DIA. AND LARGER



LOCATION DIAGRAM



CROSS DRAINAGE BAR DETAIL

SPECIFICATION 305	CATEGORY CODE ITEMS
APPROVED	DIRECTOR - OFFICE OF HIGHWAY DEVELOPMENT
	APPROVAL • SHA REVISIONS
	APPROVAL • FEDERAL HIGHWAY ADMINISTRATION
	APPROVAL 10-7-14
	APPROVAL 9-29-14
	REVISED

Maryland Department of Transportation
STATE HIGHWAY ADMINISTRATION
STANDARDS FOR HIGHWAYS AND INCIDENTAL STRUCTURES

SAFETY END SECTION FOR METAL PIPE

STANDARD NO.

MD-372.00