

F.H.W.A. REGION NO.	STATE	FED. AID PROJ. NO.	SHEET NO.	TOTAL SHEETS
3	MD			

SIGNS

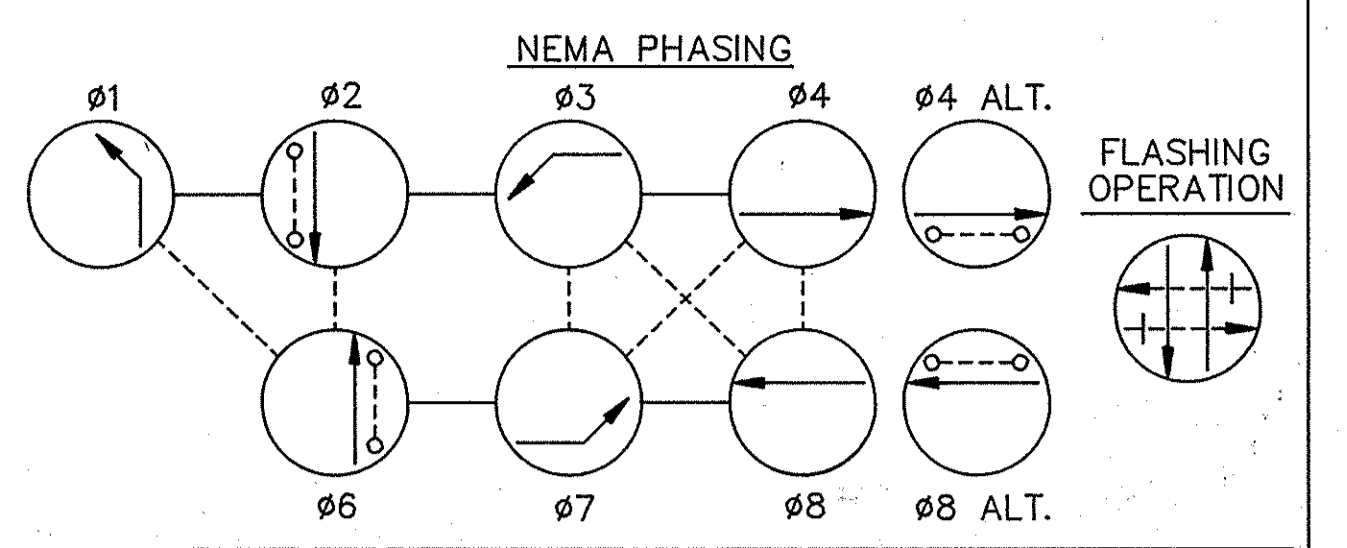
D3-2 VAR.x16"
20600 > Germantown Rd.
27,31 (DUAL FACED)
NOTE: CHEVRON SHALL POINT EAST

R3-5L 30"x36"
ONLY
28,29,33,34

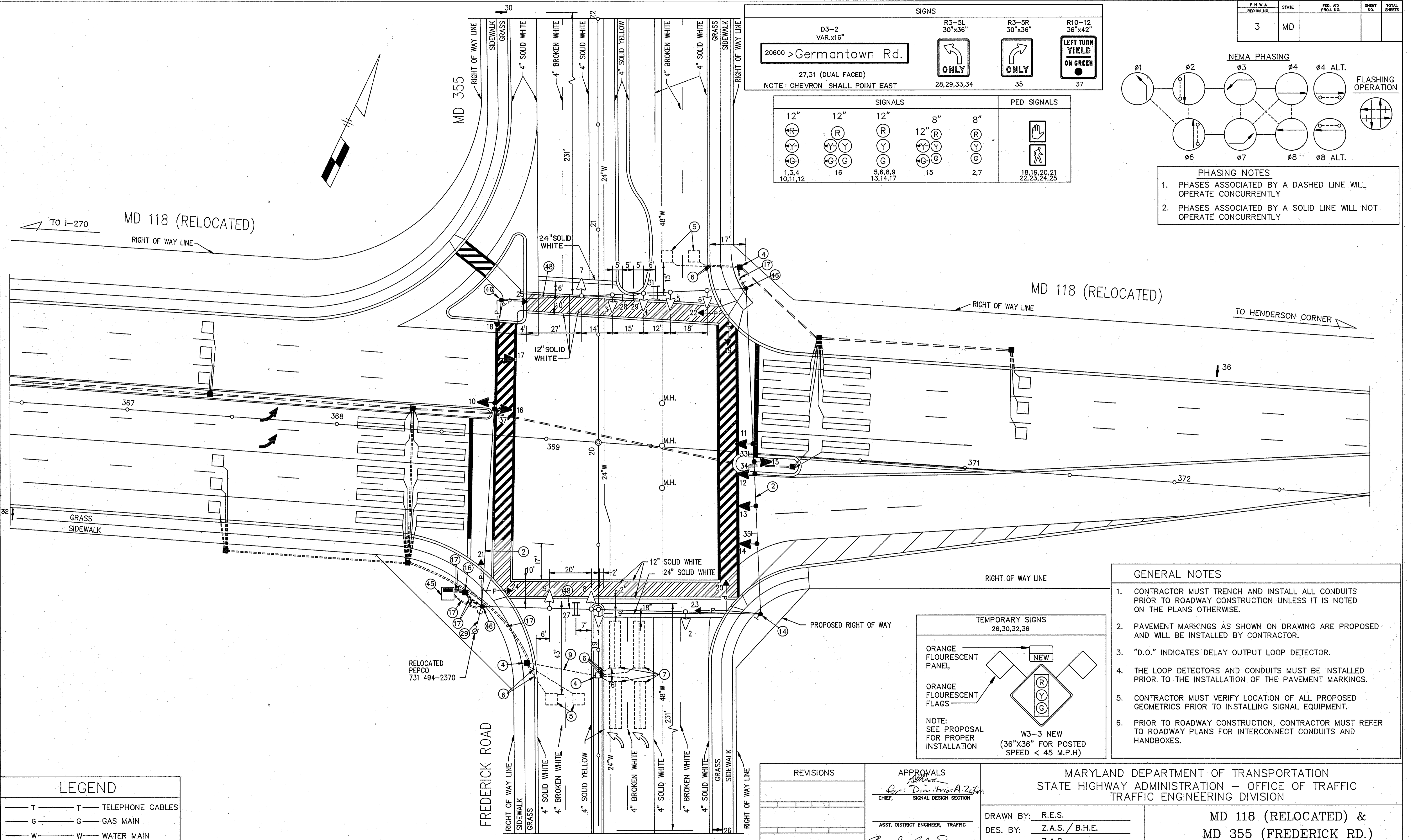
R3-5R 30"x36"
ONLY
35

R10-12 36"x42"
LEFT TURN YIELD ON GREEN
37

SIGNALS					PED SIGNALS	
12"	12"	12"	8"	8"		
1,3,4 10,11,12	16	5,6,8,9 13,14,17	15	2,7	18,19,20,21 22,23,24,25	



- PHASING NOTES**
- PHASES ASSOCIATED BY A DASHED LINE WILL OPERATE CONCURRENTLY
 - PHASES ASSOCIATED BY A SOLID LINE WILL NOT OPERATE CONCURRENTLY



TEMPORARY SIGNS
26,30,32,36

ORANGE FLOURESCENT PANEL

ORANGE FLOURESCENT FLAGS

NOTE: SEE PROPOSAL FOR PROPER INSTALLATION

W3-3 NEW (36"x36" FOR POSTED SPEED < 45 M.P.H.)

- GENERAL NOTES**
- CONTRACTOR MUST TRENCH AND INSTALL ALL CONDUITS PRIOR TO ROADWAY CONSTRUCTION UNLESS IT IS NOTED ON THE PLANS OTHERWISE.
 - PAVEMENT MARKINGS AS SHOWN ON DRAWING ARE PROPOSED AND WILL BE INSTALLED BY CONTRACTOR.
 - "D.O." INDICATES DELAY OUTPUT LOOP DETECTOR.
 - THE LOOP DETECTORS AND CONDUITS MUST BE INSTALLED PRIOR TO THE INSTALLATION OF THE PAVEMENT MARKINGS.
 - CONTRACTOR MUST VERIFY LOCATION OF ALL PROPOSED GEOMETRICS PRIOR TO INSTALLING SIGNAL EQUIPMENT.
 - PRIOR TO ROADWAY CONSTRUCTION, CONTRACTOR MUST REFER TO ROADWAY PLANS FOR INTERCONNECT CONDUITS AND HANDBOXES.

LEGEND

T	T	TELEPHONE CABLES
G	G	GAS MAIN
W	W	WATER MAIN
S	S	SEWER MAIN
E	E	ELECTRIC CABLES
A	A	AERIAL CABLES

DANIEL CONSULTANTS, INC.
8950 RTE. 108E, SUITE 229
COLUMBIA, MARYLAND

REVISIONS

APPROVALS

Chief, Signal Design Section
Asst. District Engineer, Traffic
Chief, Traffic Engineering Division
Deputy Chief Engineer, Office of Traffic

MARYLAND DEPARTMENT OF TRANSPORTATION
STATE HIGHWAY ADMINISTRATION - OFFICE OF TRAFFIC ENGINEERING DIVISION

DRAWN BY: R.E.S.
DES. BY: Z.A.S./B.H.E.
CHK. BY: Z.A.S.

DATE: FEBRUARY 1991
SCALE: 1"=20'

F.A.P. NO. -
S.H.A. NO. M-969-451-371

MD 118 (RELOCATED) & MD 355 (FREDERICK RD.)
LOG # 15011807-39
COUNTY MONTGOMERY

FILE NO.: TS 2475
SHEET NO.: 47 OF 95