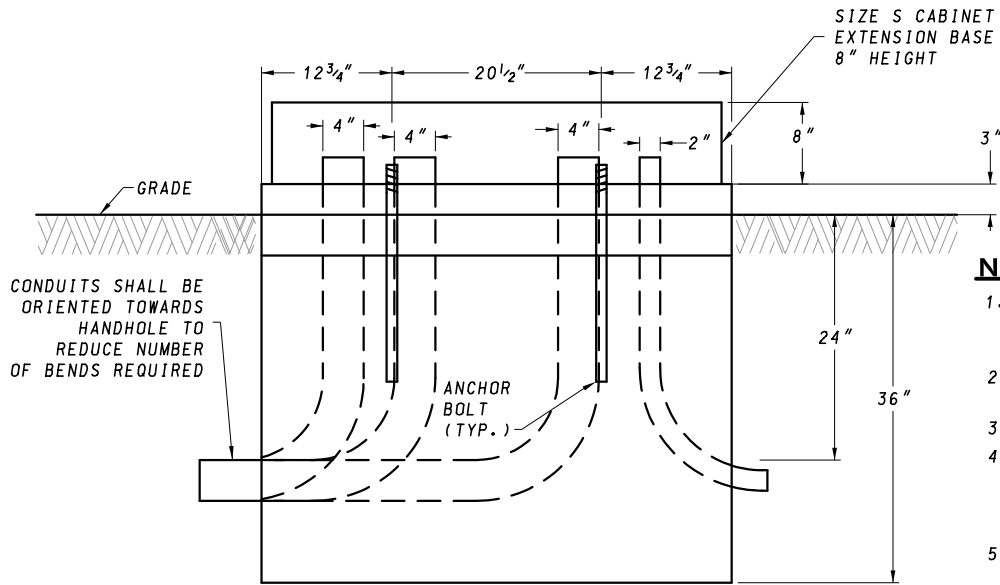


PLAN VIEW



SECTION A-A

NOTES:

1. BENDS, GROUND ROD, AND ANCHOR BOLTS TO PROJECT ABOVE BASE 2 1/2" ± 1/2".
2. ALL CONDUIT AND GROUND ROD LOCATIONS ± 1/2".
3. ALL ANCHOR BOLT LOCATIONS ± 1/4".
4. REFER TO FOUNDATION DETAILS FOR SIZE S BASE MOUNTED CABINET STANDARD PLATE FOR CONCRETE PAD DETAILS.
5. PRIOR TO INSTALLATION OF WIRING, INSTALL BELL END FITTINGS ON ALL PVC CONDUITS.

SPECIFICATION 816	CATEGORY CODE ITEMS
APPROVED	<i>Cedric Wall</i> DIRECTOR - OFFICE OF TRAFFIC AND SAFETY
APPROVAL SHA REVISIONS	APPROVAL FEDERAL HIGHWAY ADMINISTRATION
APPROVAL 11-10-18	APPROVAL 10-26-18
REVISED	REVISED
REVISED	REVISED
REVISED	REVISED

MDOT MARYLAND DEPARTMENT OF TRANSPORTATION
STATE HIGHWAY ADMINISTRATION

STANDARDS FOR HIGHWAYS AND INCIDENTAL STRUCTURES

**SIZE S
BASE MOUNTED CABINET LAYOUT**

STANDARD NO. MD 816.06