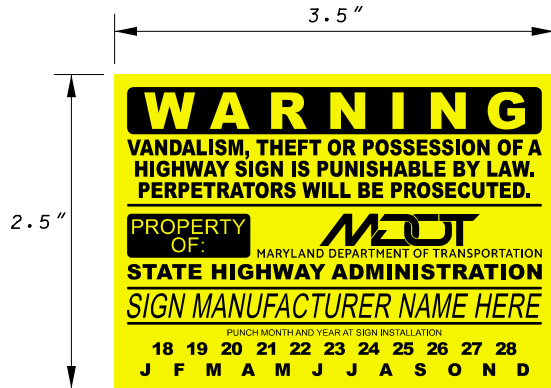
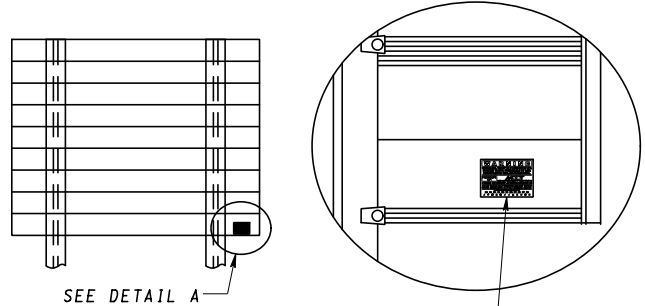


**SIGN VANDALISM & INSTALLATION
DATE STICKER (VID) DETAIL**



**VID STICKER INSTALLATION ON
EXTRUDED SIGNS**

INSTALL STICKER IN BOTTOM RIGHT CORNER OF SIGN AS SHOWN BELOW



SEE DETAIL A

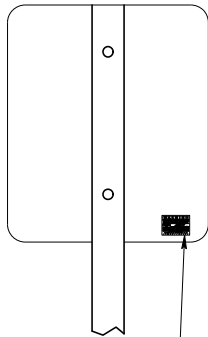
INSTALL VID STICKER TO FIRST EXTRUDED SIGN PANEL JUST BELOW CENTER STIFFENER RIB APPROXIMATELY 2 TO 3 INCHES FROM RIGHT EDGE OF SIGN PANEL

**EXTRUDED SIGN
REAR VIEW**

DETAIL A

**VID STICKER INSTALLATION ON
FLAT SHEET SIGNS**

INSTALL STICKER IN BOTTOM RIGHT CORNER OF SIGN AS SHOWN BELOW



INSTALL STICKER AS SHOWN

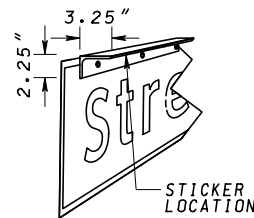
**FLAT SHEET SIGN
REAR VIEW**

**VID STICKER INSTALLATION ON
OVERHEAD STREET NAME SIGNS - MAST ARM MOUNTED**

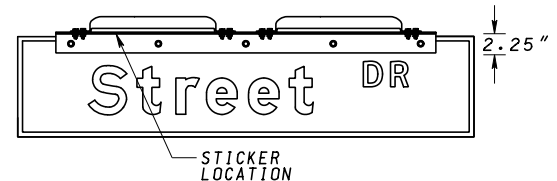
INSTALL STICKER TO UNDERSIDE OF SUPPORT ANGLE



UNDERSIDE OF SUPPORT ANGLE VIEW



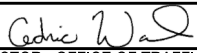
ELEVATION VIEW



FRONT VIEW

NOTES

1. ALL VID STICKERS SHALL BE MANUFACTURED USING THE OFFSET SILK SCREEN METHOD. NO INKJET, PHOTO-PRINT, OR LARGE FORMAT PRINTING FORMATS WILL BE ACCEPTED IN ANY KIND.
2. ALL BACKGROUND SHEETING SHALL BE YELLOW - TYPE I, II OR IV RETRO-REFLECTIVE SIGN SHEETING APPROVED FOR THE USE ON SHA HIGHWAY SIGNING.
3. THE PROPER HANDLING AND MANUFACTURING OF THESE MATERIALS SHALL MEET THE SHEETING MANUFACTURER'S SPECIFICATIONS.
4. ALL SILK SCREENING PROCESSES AND INKS SHALL MEET SHEETING MANUFACTURE'S APPROVAL AND BE APPLIED TO THE SHEETING FOLLOWING ALL SHEETING MANUFACTURE'S PROCEDURES.
5. VID STICKERS, PRIOR TO INSTALLATION ON SIGNS, SHALL BE PROTECTED FROM EXPOSURE TO WEATHER, EXTREMES IN TEMPERATURE, AND ANY CONDITIONS THAT COULD DAMAGE THEM.
6. ALL VID STICKERS SHALL BE INSTALLED ON A SIGN AS SHOWN IN THE ABOVE DETAILS.
7. AT THE TIME OF INSTALLATION THE AREA FOR WHICH THE STICKER IS TO BE APPLIED SHALL BE CLEAN AND FREE OF GREASE, DIRT, CONTAMINATES, ETC. ONLY ORDINARY WINDOW CLEANER, RUBBING ALCOHOL, DENATURED ALCOHOL, OR MILD SOAP AND WATER SHOULD BE USED TO CLEAN THE BACK OF THE SIGN. NO ACETONE, ZYLENE OR OTHER HARSH CHEMICALS SHALL BE USED TO CLEAN ANY PORTION OF ANY MARYLAND STATE HIGHWAY ADMINISTRATION SIGN.
8. BE SURE THAT THE AREA IS COMPLETELY DRY PRIOR TO APPLICATION OF THE VID STICKER.
9. TO OBTAIN AN ELECTRONIC COPY OF THE VID STICKER FOR MANUFACTURING PURPOSES CONTACT: MARYLAND STATE HIGHWAY ADMINISTRATION - OFFICE OF TRAFFIC AND SAFETY - TRAFFIC ENGINEERING DESIGN DIVISION 7491 CONNELLEY DR. HANOVER, MARYLAND 21076 AVAILABLE IN THE FOLLOWING FORMATS: .PDF, .JPG, .BMP AND .FS (FLEXISIGN).

SPECIFICATION 813	CATEGORY CODE ITEMS
APPROVED	 DIRECTOR - OFFICE OF TRAFFIC AND SAFETY
APPROVAL SHA REVISIONS	APPROVAL FEDERAL HIGHWAY ADMINISTRATION
APPROVAL 4-16-19	APPROVAL 3-25-19
REVISED	REVISED
REVISED	REVISED
REVISED	REVISED

MDT MARYLAND DEPARTMENT OF TRANSPORTATION
STATE HIGHWAY ADMINISTRATION

STANDARDS FOR HIGHWAYS AND INCIDENTAL STRUCTURES

**SIGN VANDALISM AND
INSTALLATION DATE (VID) STICKER**

STANDARD NO. MD 813.10