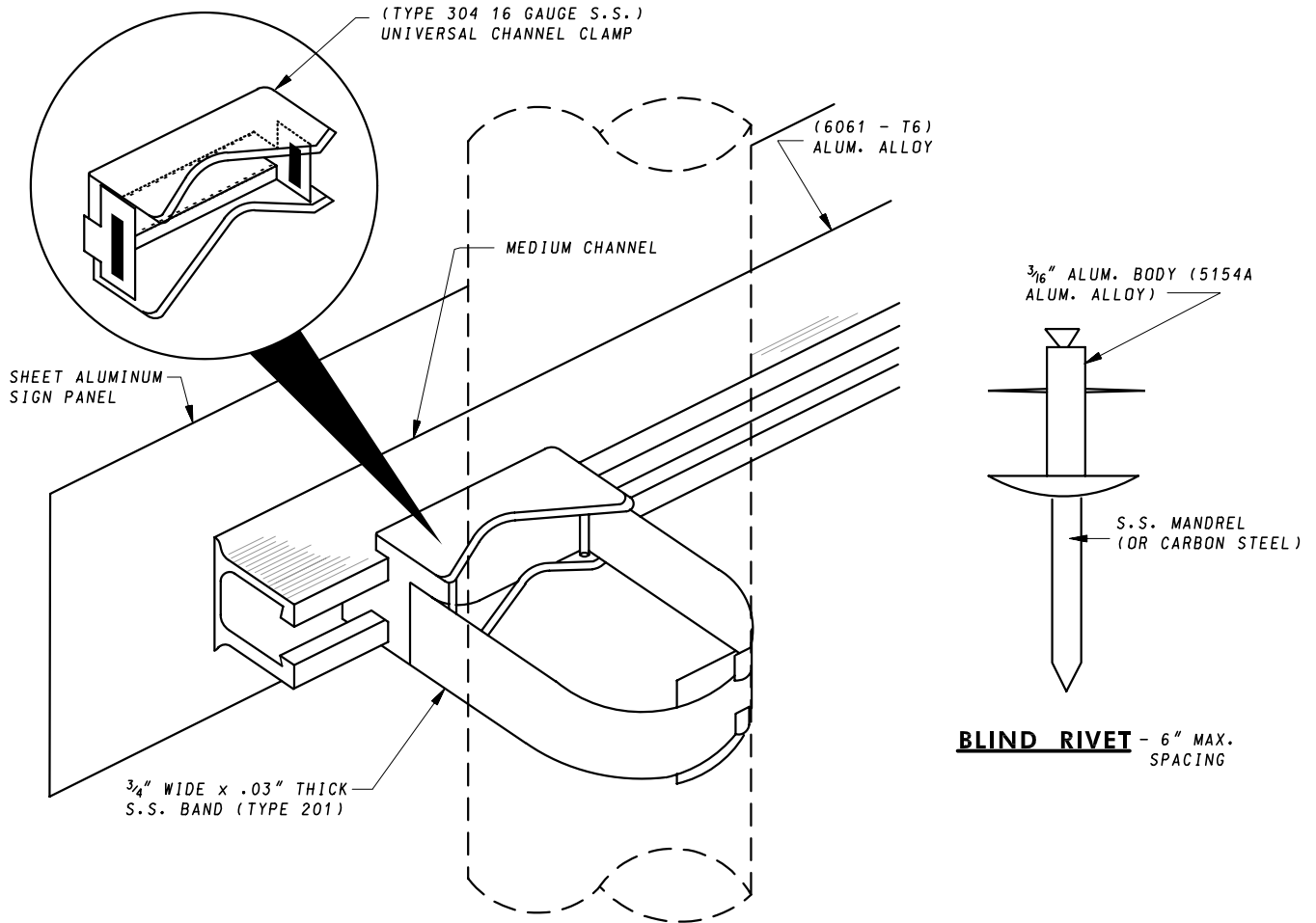


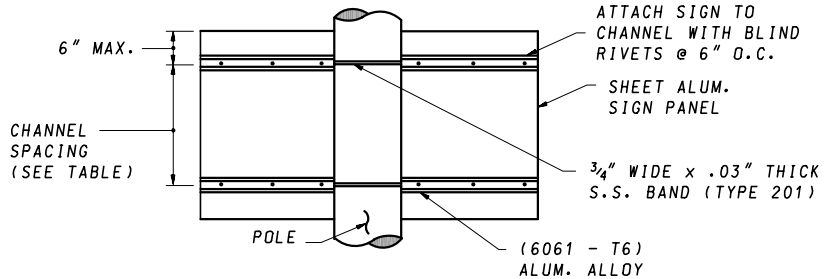
**SIGN ATTACHMENT DETAIL  
VERTICAL POLE INSTALLATION ONLY  
MAX. SIGN WIDTH = 5'-0"**

**UNIVERSAL CHANNEL CLAMP**





**BLIND RIVET** - 6" MAX. SPACING

SIGN WIDTH (IN.)	CHANNEL SPACING (IN.)
36	24
48	14
60	9



**BACK OF SIGN**

SPECIFICATION <b>813</b>	CATEGORY CODE ITEMS
APPROVED	 DIRECTOR - OFFICE OF TRAFFIC AND SAFETY
	APPROVAL • SHA REVISIONS
	APPROVAL • FEDERAL HIGHWAY ADMINISTRATION
	APPROVAL <b>2-21-95</b>
	REVISIONS <b>5-17-07</b>
	REVISIONS

**Maryland Department of Transportation  
STATE HIGHWAY ADMINISTRATION**  
STANDARDS FOR HIGHWAYS AND INCIDENTAL STRUCTURES

**SIGN BANDING DETAIL**

STANDARD NO.

**MD 813.08**