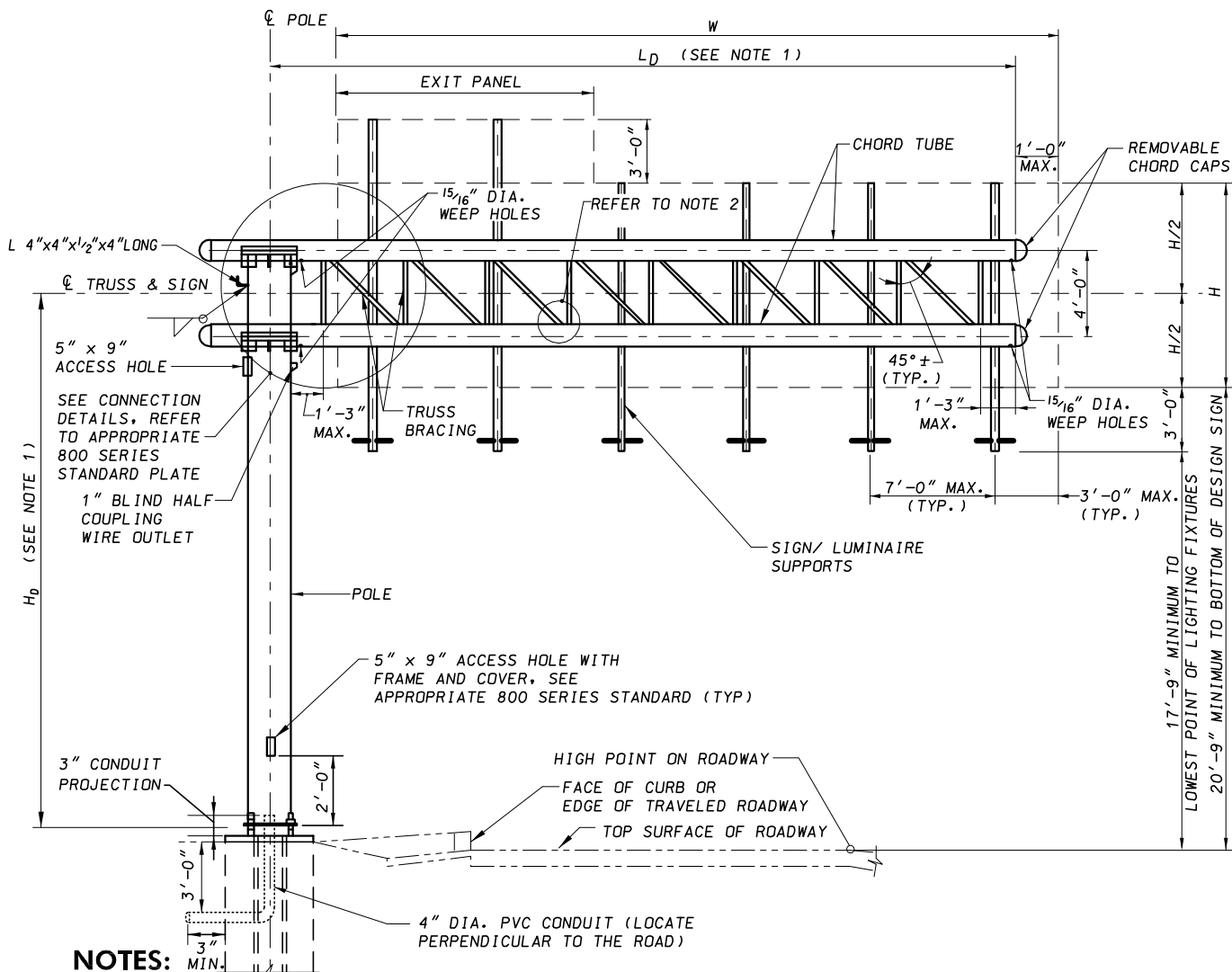


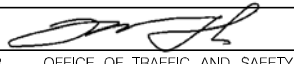

**PLAN VIEW**



**NOTES:**

1. CHORD LENGTH ' $L_D$ ' AND POLE HEIGHT ' $H_0$ ' ARE FOR DESIGN PURPOSES ONLY. ACTUAL LENGTHS WILL BE AS SPECIFIED IN THE ERECTION DETAIL SHEET. IN DETERMINING THE STRUCTURE TYPE FOR A SIGN SUPPORT, THE DESIGNER WILL CHOOSE A DESIGN HEIGHT ' $H_0$ ' AND A CHORD LENGTH ' $L_D$ ' EQUAL TO OR GREATER THAN THE ACTUAL DIMENSIONS.
2. REFER TO APPROPRIATE 800 SERIES STANDARD PLATE REGARDING STRUCTURE DATA.
3. REFER TO APPROPRIATE 800 SERIES STANDARD PLATE REGARDING GENERAL NOTES.

**REAR ELEVATION VIEW**

SPECIFICATION 803	CATEGORY CODE ITEMS
APPROVED	 DIRECTOR - OFFICE OF TRAFFIC AND SAFETY
	APPROVAL • SHA REVISIONS
	APPROVAL 8-12-02
	REVISED 5-20-11
	REVISED
APPROVAL • FEDERAL HIGHWAY ADMINISTRATION	APPROVAL 9-4-02
REVISED	REVISED 4-22-11
REVISED	REVISED
REVISED	REVISED

**Maryland Department of Transportation**  
**STATE HIGHWAY ADMINISTRATION**  
 STANDARDS FOR HIGHWAYS AND INCIDENTAL STRUCTURES  
**BOX TRUSS CANTILEVER SIGN STRUCTURES**  
**ELEVATION**

**STANDARD NO.**

**MD 803.06**