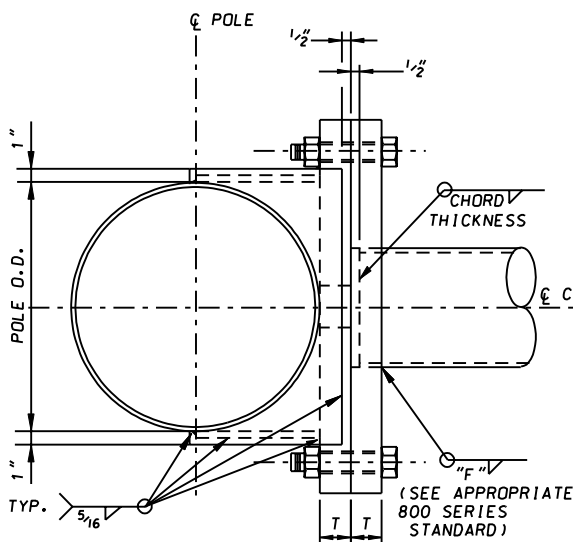
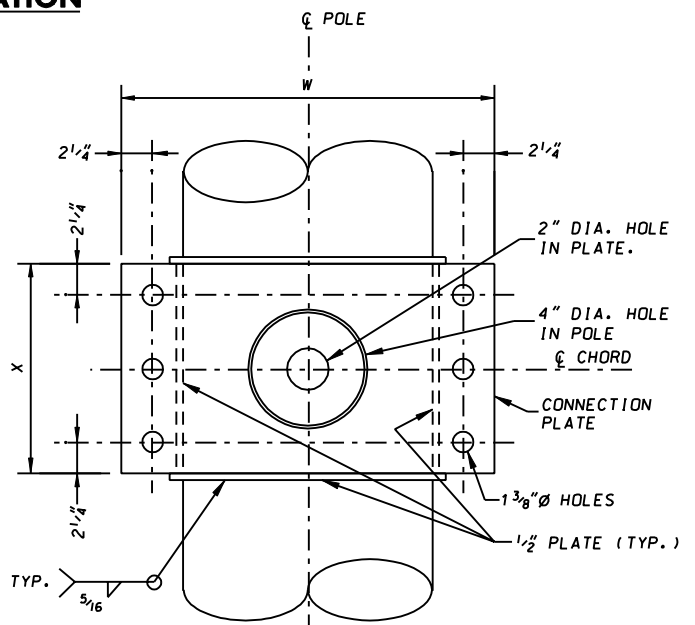


ELEVATION



SECTION A-A



SECTION B-B

NOTES:

1. FOR DETAIL 1 AND DETAIL 2 REFER TO APPROPRIATE 800 SERIES STANDARD PLATE.
2. TOP AND BOTTOM CHORD CONNECTIONS ARE SIMILAR.

SPECIFICATION 803 CATEGORY CODE ITEMS

APPROVED  DIRECTOR - OFFICE OF TRAFFIC AND SAFETY



APPROVAL • SHA REVISIONS	APPROVAL • FEDERAL HIGHWAY ADMINISTRATION
APPROVAL 8-12-02	APPROVAL 9-4-02
REVISED	REVISED
REVISED	REVISED
REVISED	REVISED

Maryland Department of Transportation
STATE HIGHWAY ADMINISTRATION
 STANDARDS FOR HIGHWAYS AND INCIDENTAL STRUCTURES
SINGLE PLANE CANTILEVER SIGN STRUCTURES
TRUSS CHORD TO POLE CONNECTION DETAILS

STANDARD NO.

MD 803.05-03