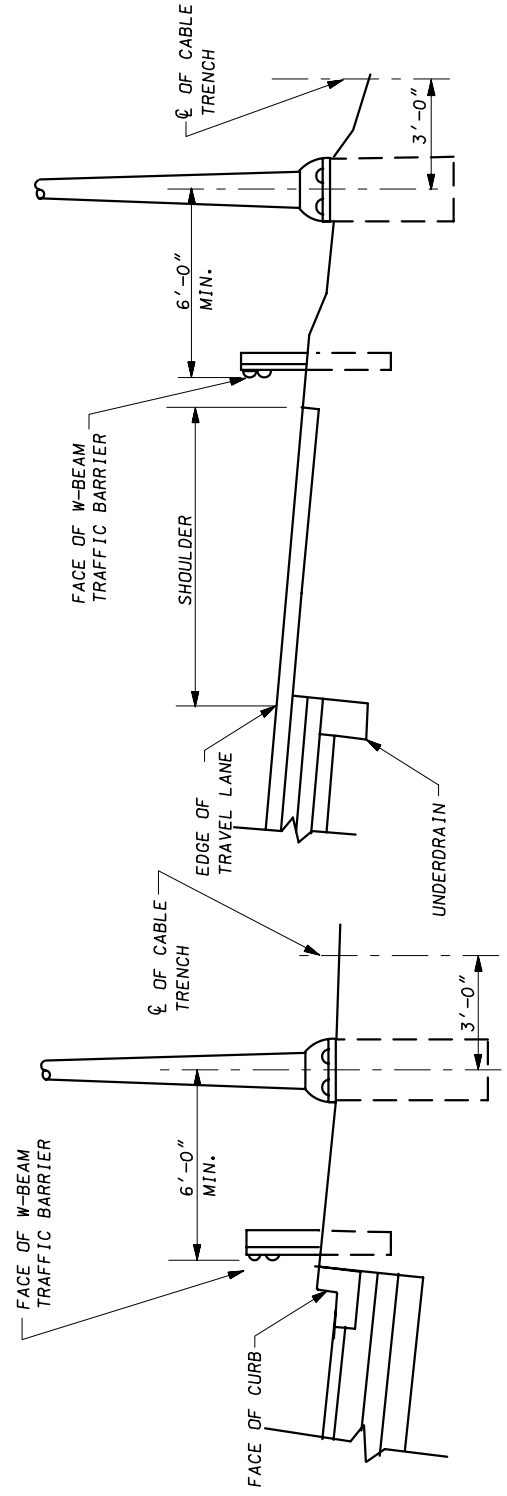
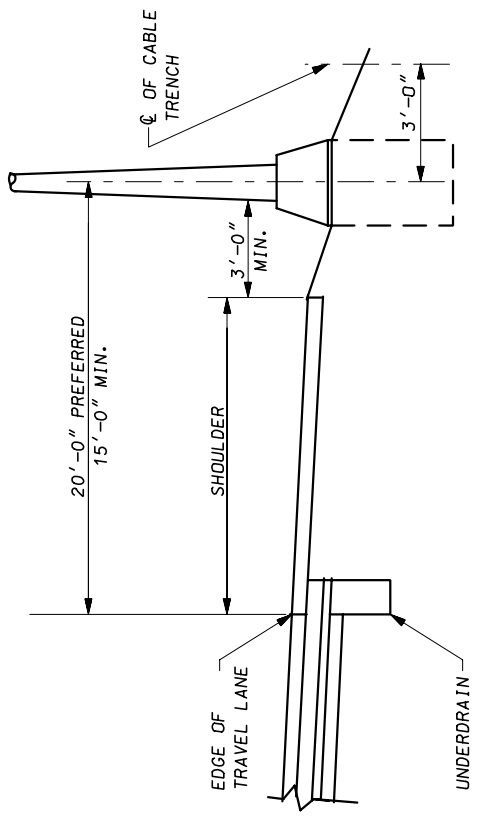


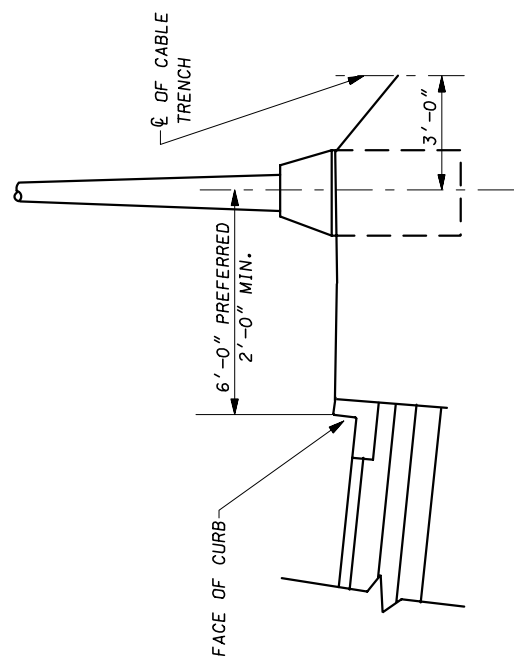
LIGHTING STRUCTURES SHALL NOT BE PLACED IN FRONT OF TRAFFIC BARRIERS





ANCHOR BASE



BREAKAWAY BASE



BREAKAWAY BASE

SPECIFICATION	CATEGORY CODE ITEMS
APPROVED	 DIRECTOR - OFFICE OF TRAFFIC AND SAFETY
	APPROVAL • SHA REVISIONS
	APPROVAL • FEDERAL HIGHWAY ADMINISTRATION
	APPROVAL 7-1-94
	REVISIONS 5-17-07
	REVISIONS

Maryland Department of Transportation
STATE HIGHWAY ADMINISTRATION
 STANDARDS FOR HIGHWAYS AND INCIDENTAL STRUCTURES

LIGHTING STRUCTURE PLACEMENT

STANDARD NO. MD 800.02-01