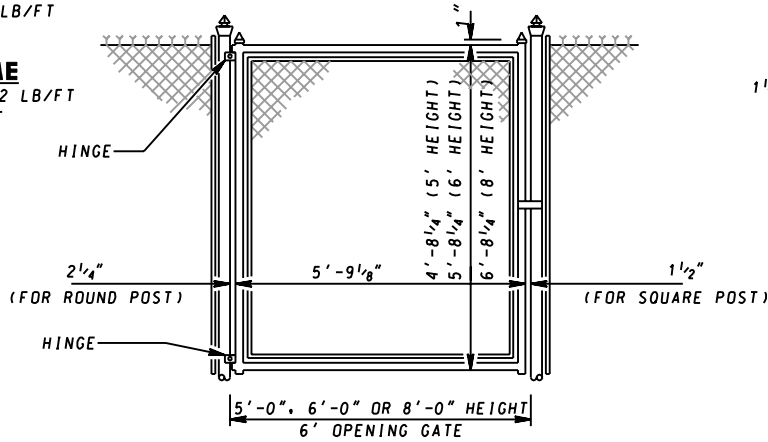
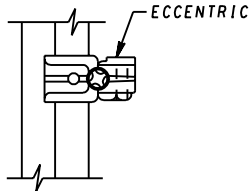


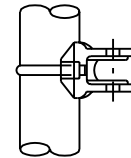
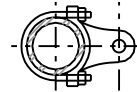
GATE FRAME
1.90" O.D. PIPE-2.72 LB/FT OR 2.28 LB/FT



GATE FRAME
1 1/2" SQ. FRAME-2.03 LB/FT



SQUARE POST HINGE



ROUND POST HINGE

SPECIFICATION 615	CATEGORY CODE ITEMS
-----------------------------	---------------------

APPROVED *Kirk G. McCall*
DIRECTOR - OFFICE OF HIGHWAY DEVELOPMENT

Maryland Department of Transportation
STATE HIGHWAY ADMINISTRATION
STANDARDS FOR HIGHWAYS AND INCIDENTAL STRUCTURES

	APPROVAL • SHA REVISIONS	APPROVAL • FEDERAL HIGHWAY ADMINISTRATION
	APPROVAL 12-1-70	APPROVAL 9-14-71
	REVISED 10-1-01	REVISED 4-3-85
	REVISED	REVISED

**CHAIN LINK FENCE
GATE DETAILS**

STANDARD NO. MD 692.01