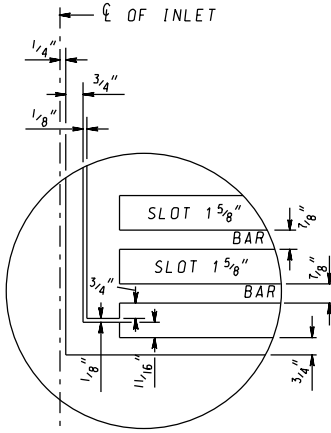
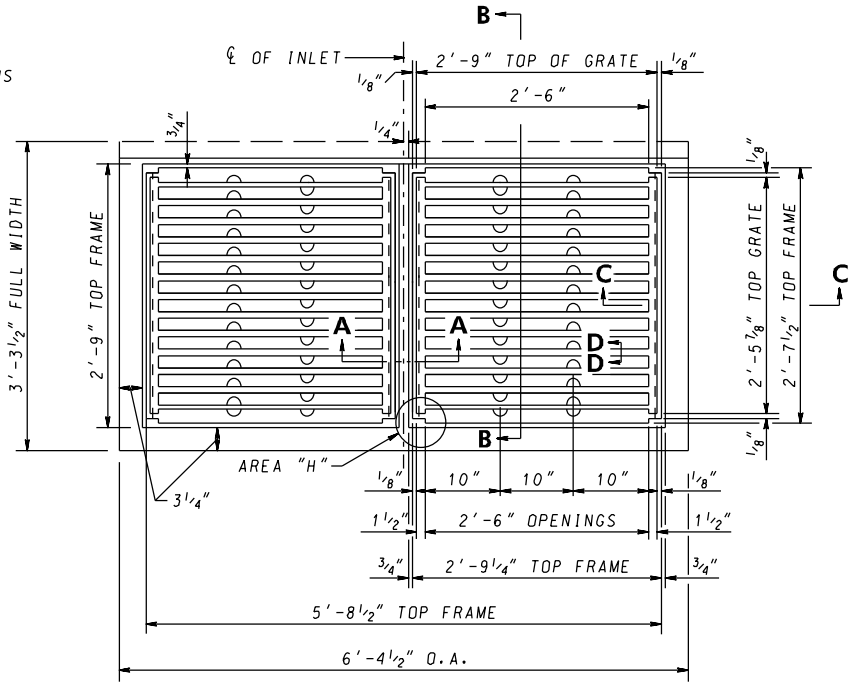


CAST IRON FRAME & GRATES  
SEE LATEST S.H.A. SPECIFICATIONS

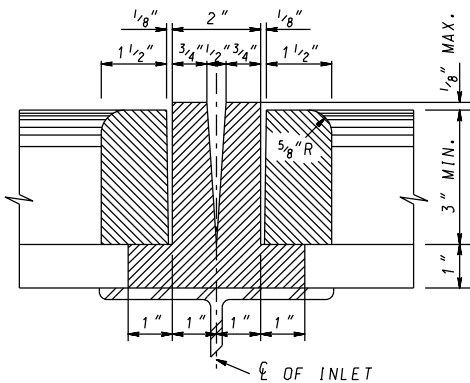
AVERAGE WEIGHTS  
FRAME-CUT FLANGE=430 LBS. ±  
FRAME-UNCUT=480 LBS. ±  
GRATES-2=680 LBS. ±



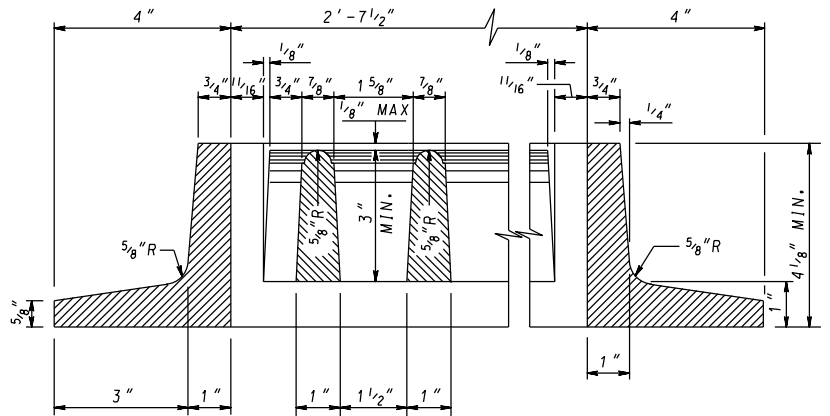
AREA "H" DETAIL



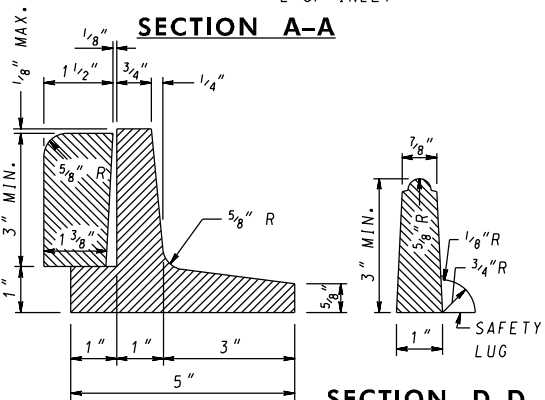
PLAN



SECTION A-A





SECTION B-B



SECTION C-C

SECTION D-D

NOTE: MANUFACTURER TO VERIFY THAT FRAME IS DESIGNED FOR HS-25 LOADING

SPECIFICATION	CATEGORY CODE ITEMS	
APPROVED	 DIRECTOR - OFFICE OF HIGHWAY DEVELOPMENT	
	APPROVAL • SHA REVISIONS	APPROVAL • FEDERAL HIGHWAY ADMINISTRATION
	APPROVAL 2-28-75	APPROVAL 5-12-75
	REVISED 10-7-14	REVISED 9-29-14
	REVISED -	REVISED
	REVISED	REVISED

**Maryland Department of Transportation**  
**STATE HIGHWAY ADMINISTRATION**  
STANDARDS FOR HIGHWAYS AND INCIDENTAL STRUCTURES

**STANDARD TYPE K INLET**  
**DOUBLE FRAME & GRATE**

STANDARD NO.

MD 378.07