

SECTION A-A

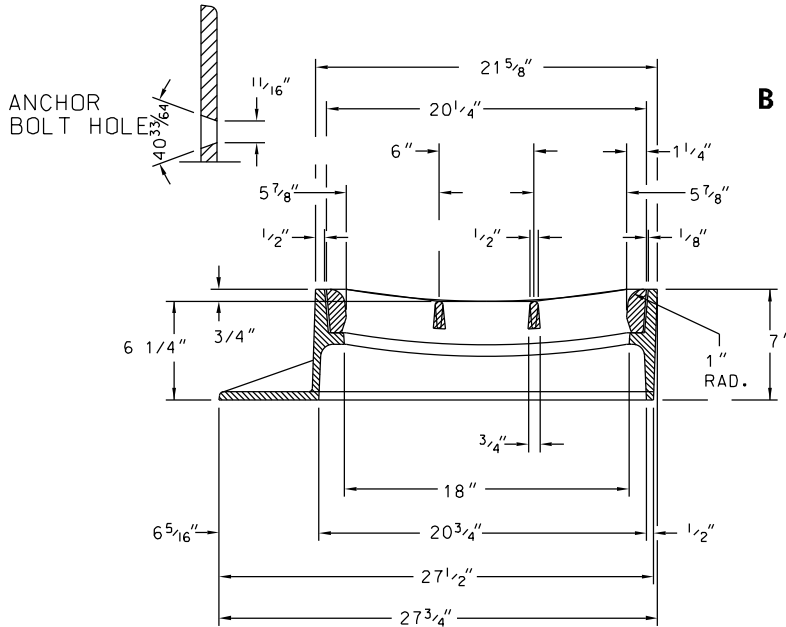
NOTES

FRAME AND GRATE HAVE A RADIAL SEAT OF 52 7/8" RAD.
 TOP OF FRAME ALSO HAS RADIUS OF 52 7/8" RAD.
 TOP OF GRATE HAS FLAT SURFACES WHICH CLOSELY MATCH THE
 RADIUS OF THE FRAME.

MATERIAL: CAST GRAY IRON ASTM A-48, CLASS 35B
 FINISH: NOT PAINTED
 FRAMES TO BE CASTING WITH FLANGE CUT,
 AS SHOWN, WHEN INLET TO BE PLACED ADJACENT
 TO CURB OPENING.

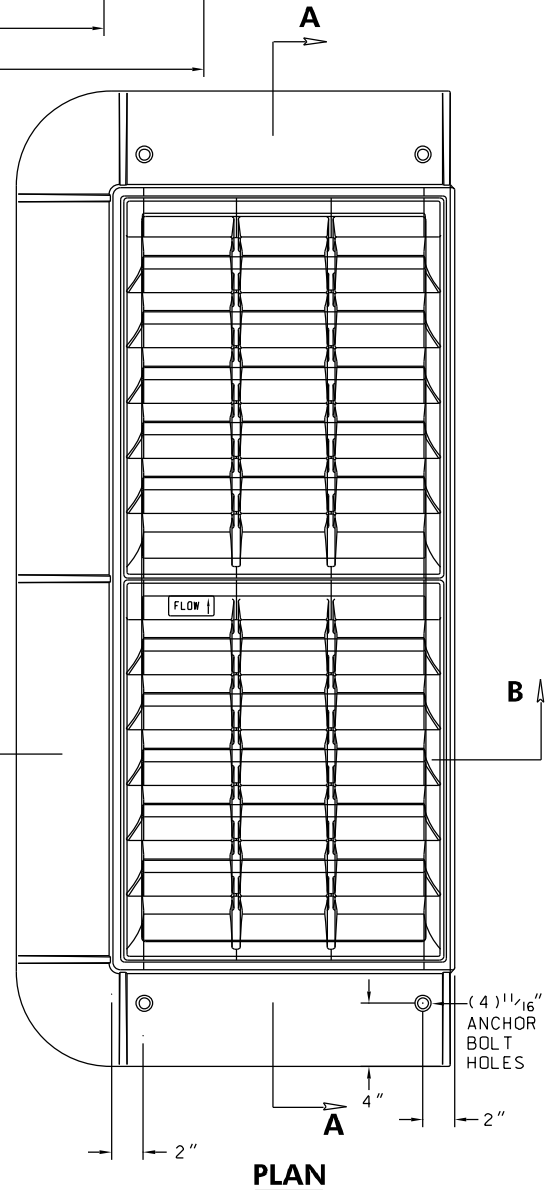
FOR FULL FLANGE/DETAILS, REFER TO THE
 RESPECTIVE STANDARD PLATES FOR TYPE
 "E" INLET

* CONTRACTOR IS RESPONSIBLE FOR CORRECT
 ORIENTATION OF THE CV-GRATE TOWARD
 THE DIRECTION OF FLOW.



SECTION B-B

MANUFACTURER TO VERIFY THAT FRAME AND GRATE ARE DESIGNED FOR HS-25 LOADING



PLAN

SPECIFICATION 305		
APPROVED	DIRECTOR - OFFICE OF HIGHWAY DEVELOPMENT	
	APPROVAL • SHA	APPROVAL • FEDERAL
	REVISIONS	HIGHWAY ADMINISTRATION
	APPROVAL 2-10-04	APPROVAL 3-31-04
	REVISED 7-1-09	REVISED 7-27-09
	REVISED 10-7-14	REVISED 9-29-14
	REVISED	REVISED

Maryland Department of Transportation
STATE HIGHWAY ADMINISTRATION
 STANDARDS FOR HIGHWAYS AND INCIDENTAL STRUCTURES

CURVED VANE GRATES WITH FRAME
FOR TYPE "E" INLET (E-CV)

STANDARD NO.

MD 376.12-01