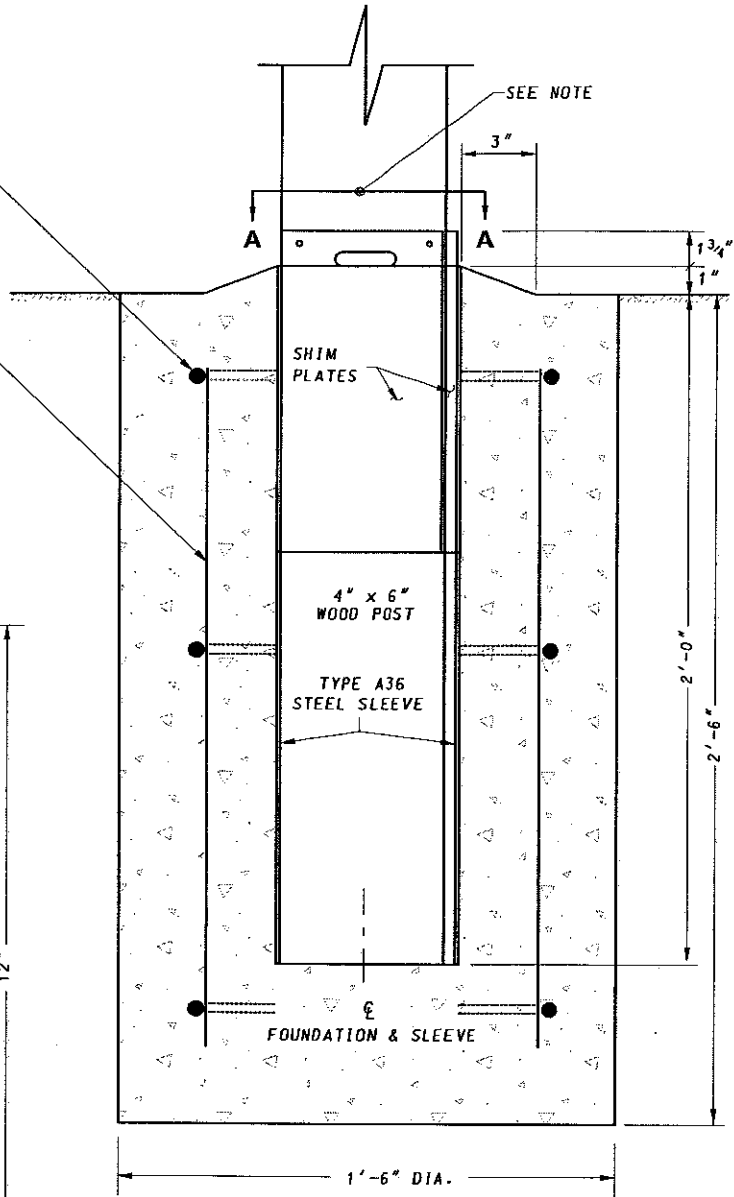
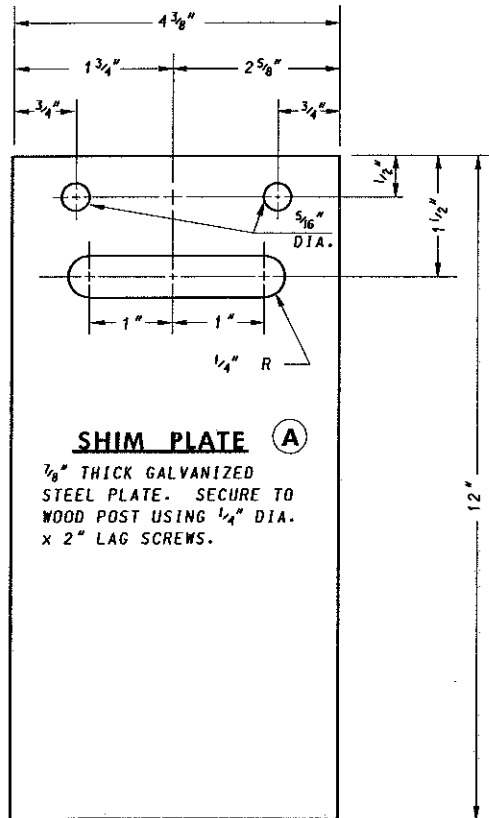




THREE (3)- #3 HORIZONTAL REINFORCEMENT BARS

EIGHT (8)- #5 VERTICAL REINFORCEMENT BARS



NOTE:

REFER TO OTHER WOOD SIGN SUPPORT SLEEVED FOUNDATION STANDARD PLATE FOR ADDITIONAL DETAILS.

SPECIFICATION 801, 812	CATEGORY CODE ITEMS
APPROVED	 DIRECTOR - OFFICE OF TRAFFIC AND SAFETY
	APPROVAL • SHA REVISIONS
	APPROVAL • FEDERAL HIGHWAY ADMINISTRATION
	APPROVAL 2-21-95
	REVISSED 5-17-07
	REVISSED

Maryland Department of Transportation
STATE HIGHWAY ADMINISTRATION
 STANDARDS FOR HIGHWAYS AND INCIDENTAL STRUCTURES
WOOD SIGN SUPPORTS
SLEEVED FOUNDATION

STANDARD NO. MD 812.05-01