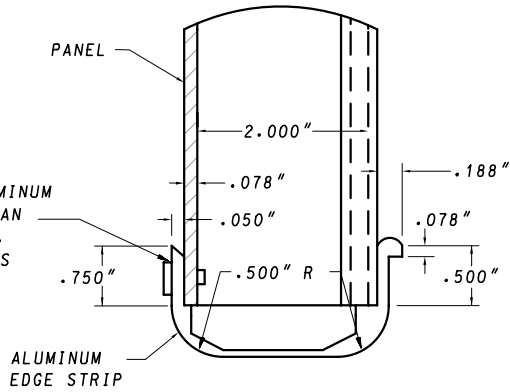


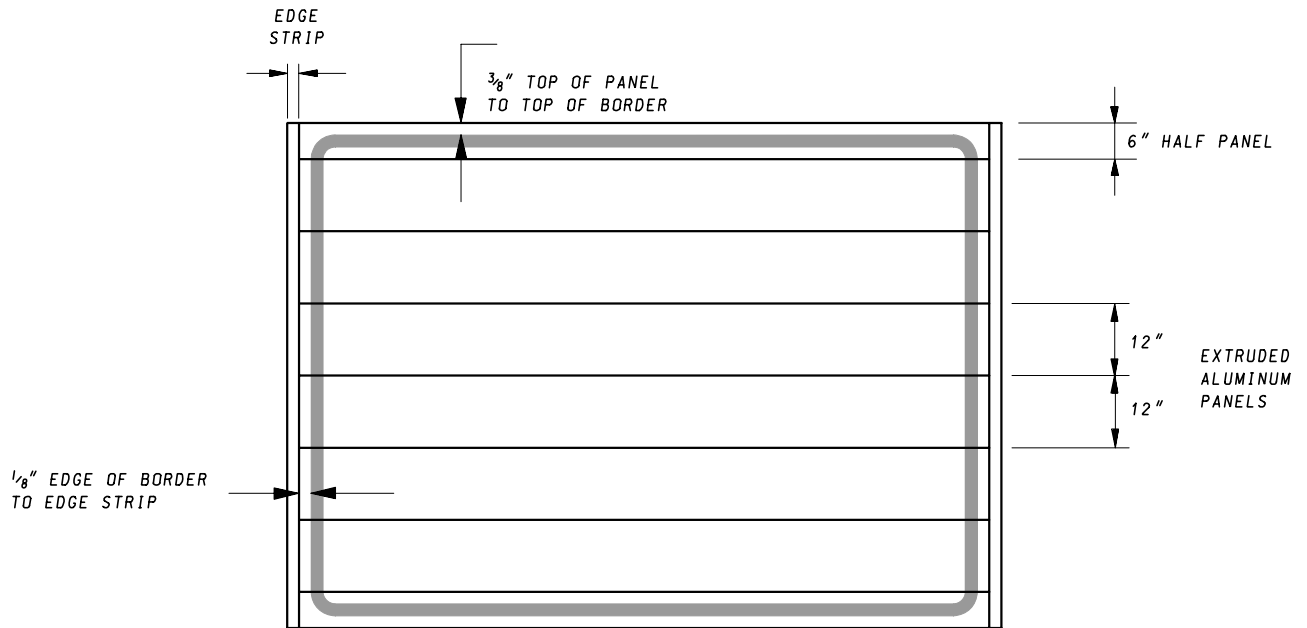
STAINLESS STEEL OR ALUMINUM  
 SIZE #6 x 1/2" SLOTTED PAN  
 HEAD SCREWS AT 24" C.C.  
 OR 1/8" S.S. BLIND RIVETS



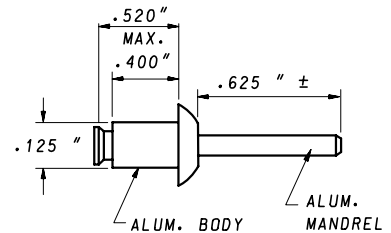
**DETAIL OF EDGE STRIP**

**NOTE:**



EDGE STRIP SHALL BE  
 PLACED ON BOTH SIDES  
 OF ALL EXTRUDED PANEL  
 SIGNS.



**BORDER DETAIL**



**DETAIL OF A BLIND RIVET FOR  
 CUTOUT LETTER  
 (TYP.)**

SPECIFICATION <b>813</b>	CATEGORY CODE ITEMS	<b>Maryland Department of Transportation</b> <b>STATE HIGHWAY ADMINISTRATION</b> STANDARDS FOR HIGHWAYS AND INCIDENTAL STRUCTURES
APPROVED  DIRECTOR - OFFICE OF TRAFFIC AND SAFETY		
	APPROVAL • SHA REVISIONS	APPROVAL • FEDERAL HIGHWAY ADMINISTRATION
	APPROVAL <b>2-21-95</b>	APPROVAL <b>2-21-95</b>
	REVISED <b>5-17-07</b>	REVISED <b>5-2-07</b>
	REVISED	REVISED
	REVISED	REVISED
<b>STANDARD NO.</b>		<b>MD 813.04</b>