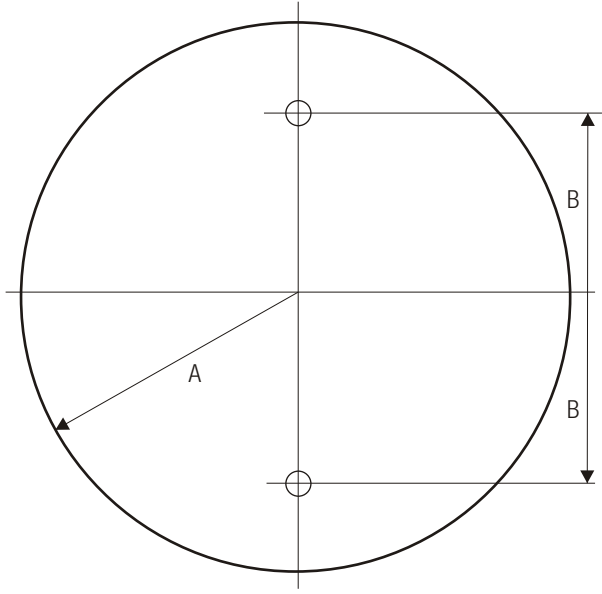
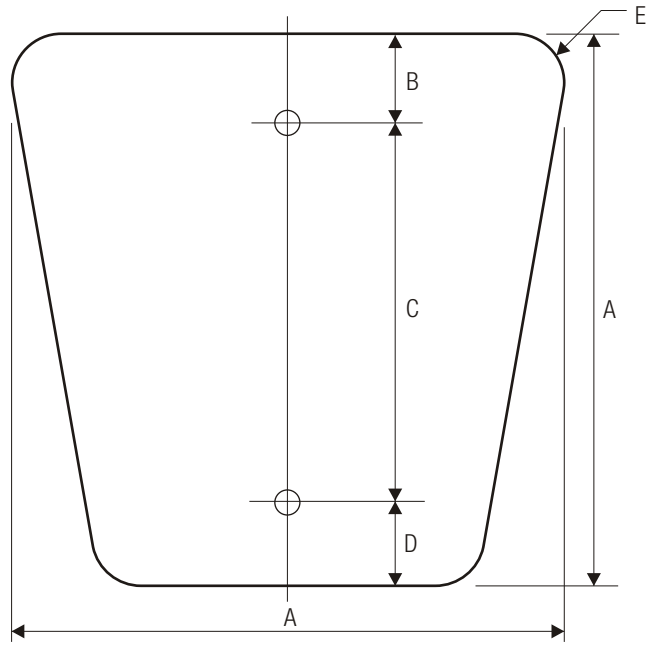


BLANK STANDARDS



CIRCLE

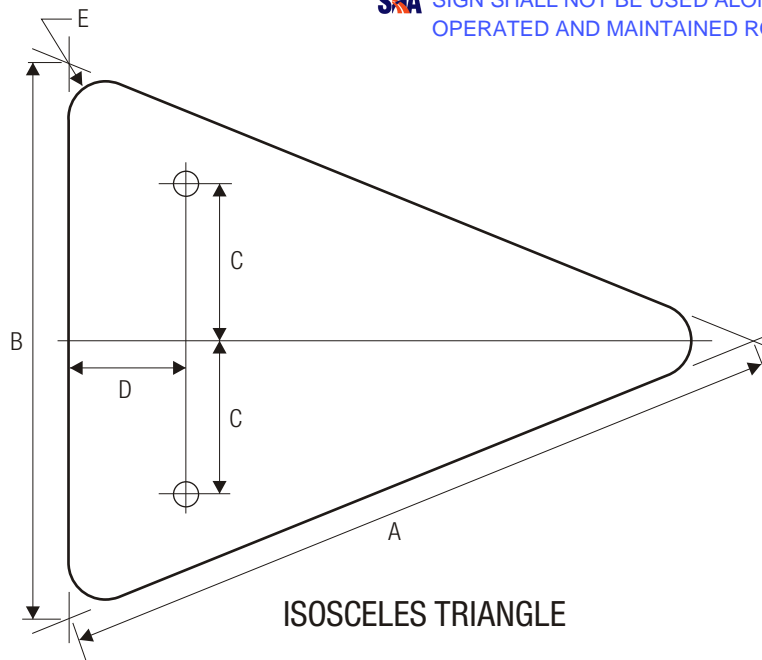
A	B
15	12
18	15



NATIONAL FOREST SHIELD

A	B	C	D	E
18	2	15	1	2
24	2.5	20	1.5	2.5

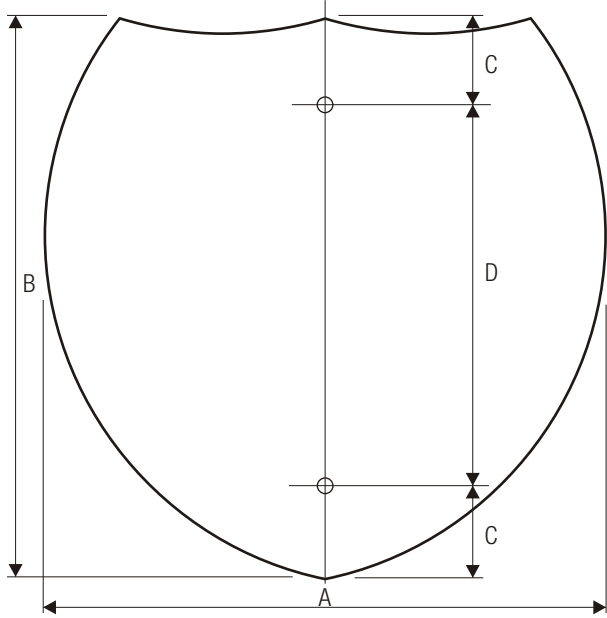
SHA SIGN SHALL NOT BE USED ALONG STATE OWNED, OPERATED AND MAINTAINED ROADWAYS.



ISOSCELES TRIANGLE

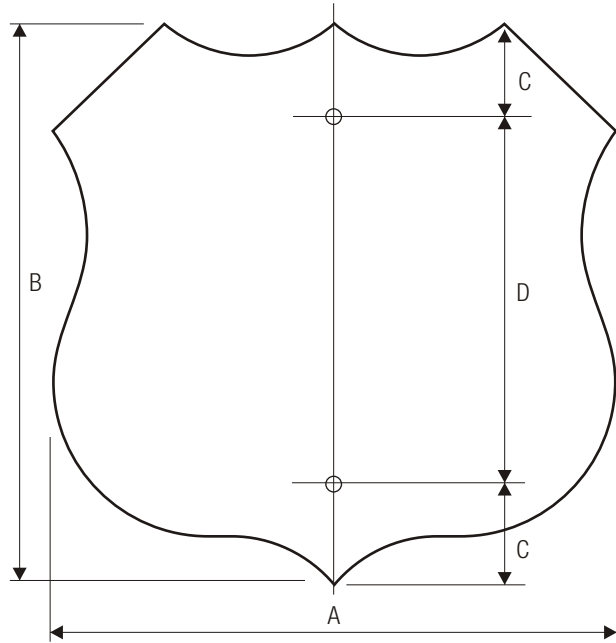
A	B	C	D	E
40	30	7.5	12	1.875
48	36	9	15	2.25

BLANK STANDARDS



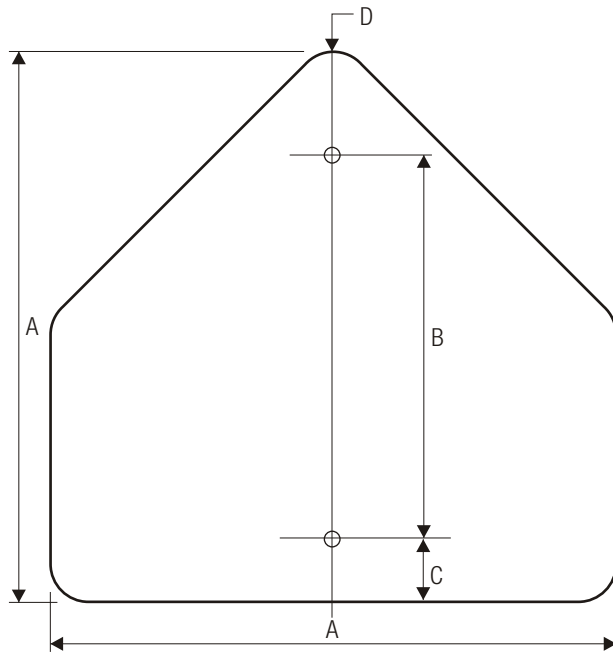
INTERSTATE SHIELD

A	B	C	D
24	24	3	18
30	24	3	18
36	36	6	24
45	36	6	24



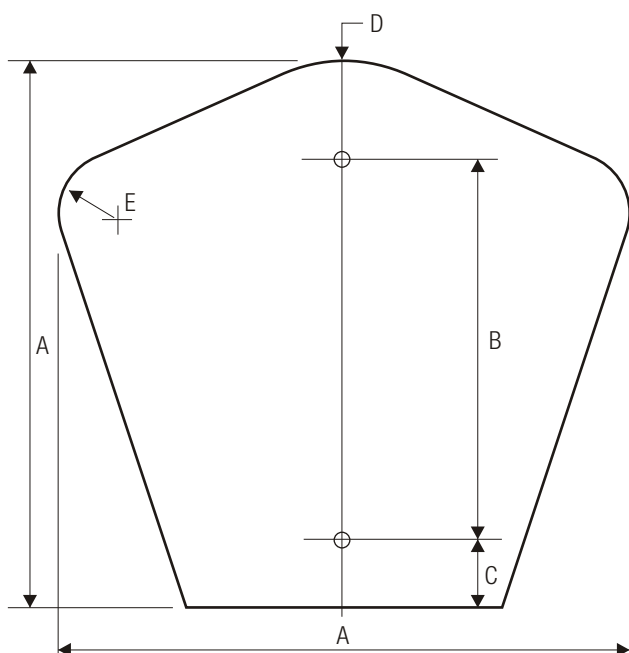
U.S. SHIELD

A	B	C	D
24	24	3	18
30	24	3	18
36	36	6	24
45	36	6	24



PENTAGON (SCHOOL)

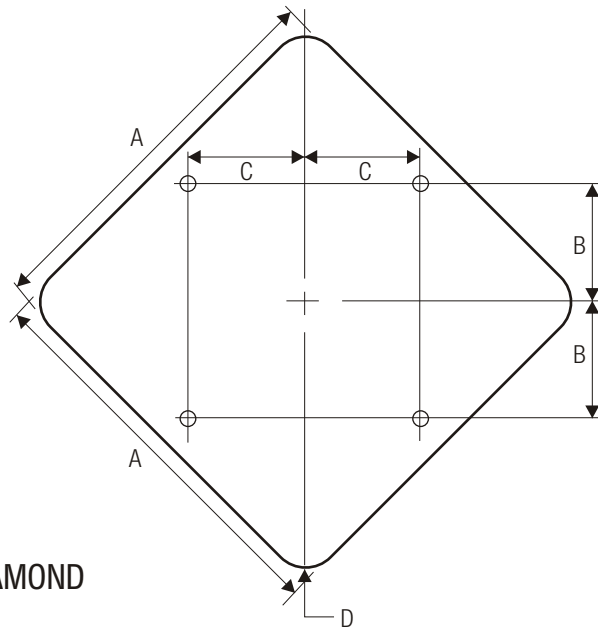
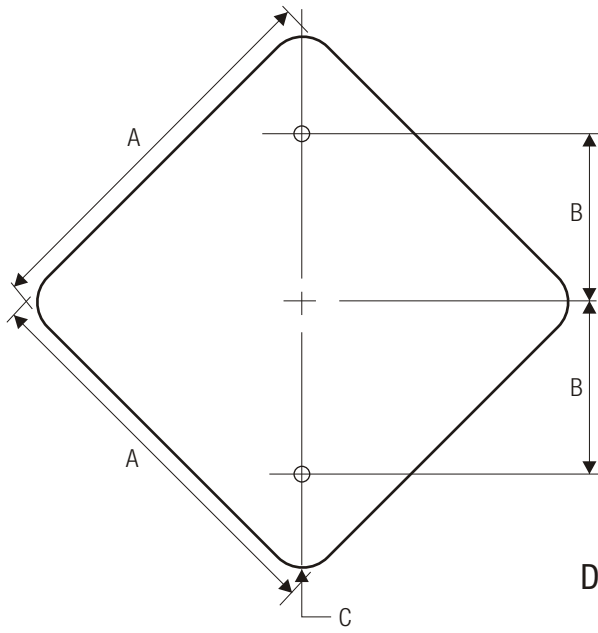
A	B	C	D
30	21	3	1.875
36	24	3	2.25



COUNTY SHIELD

A	B	C	D	E
18	15	1	5	2
24	18	2	5.313	2.688
30	24	2	6.625	3.375

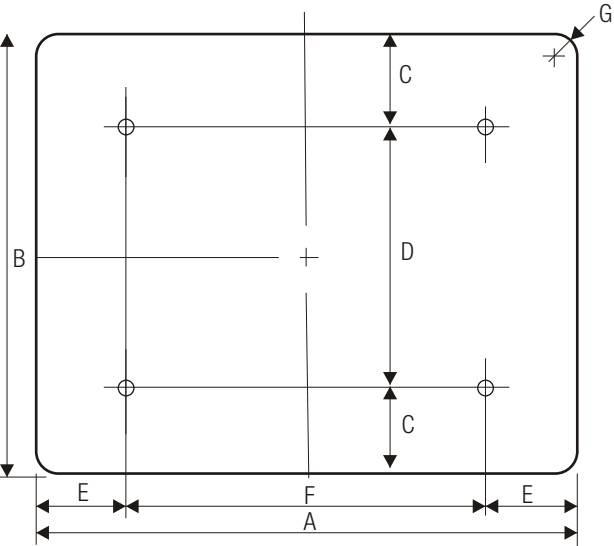
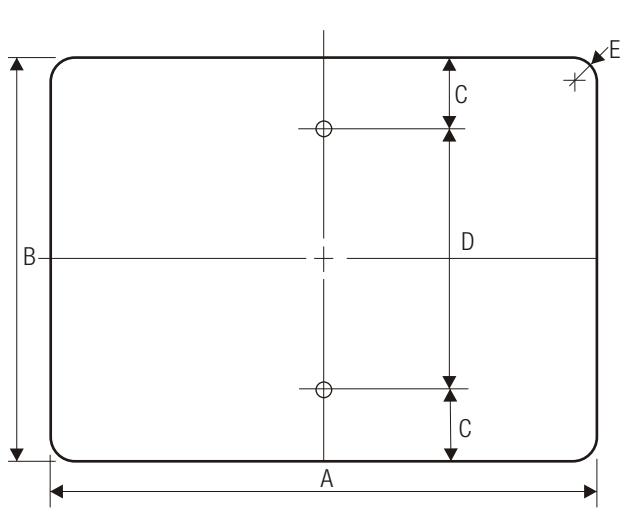
BLANK STANDARDS



DIAMOND

A	B	C
24	12	1.5
30	15	1.875
36	18	2.25

A	B	C	D
48	15	15	3
60	18	18	3.75



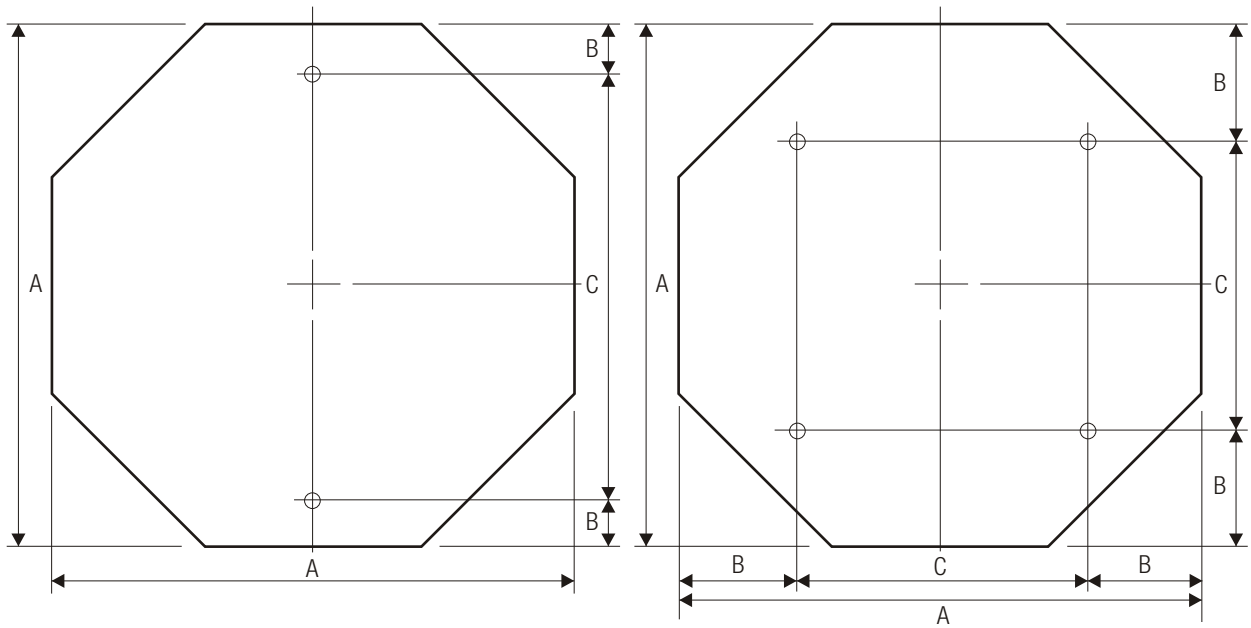
HORIZONTAL RECTANGLE

A	B	C	D	E
21	15	1.5	12	1.5
24	12	1.5	9	1.5
24	18	3	12	1.5
30	15	1.5	12	1.5
30	24	3	18	1.5
36	12	1.5	9	1.5

A	B	C	D	E	F	G
36	24	3	18	6	24	1.5
48	24	3	18	9	30	1.875
48	36	6	24	9	30	2.25
60	24	3	18	12	36	1.5
60	36	6	24	12	36	2.25

BLANK STANDARDS

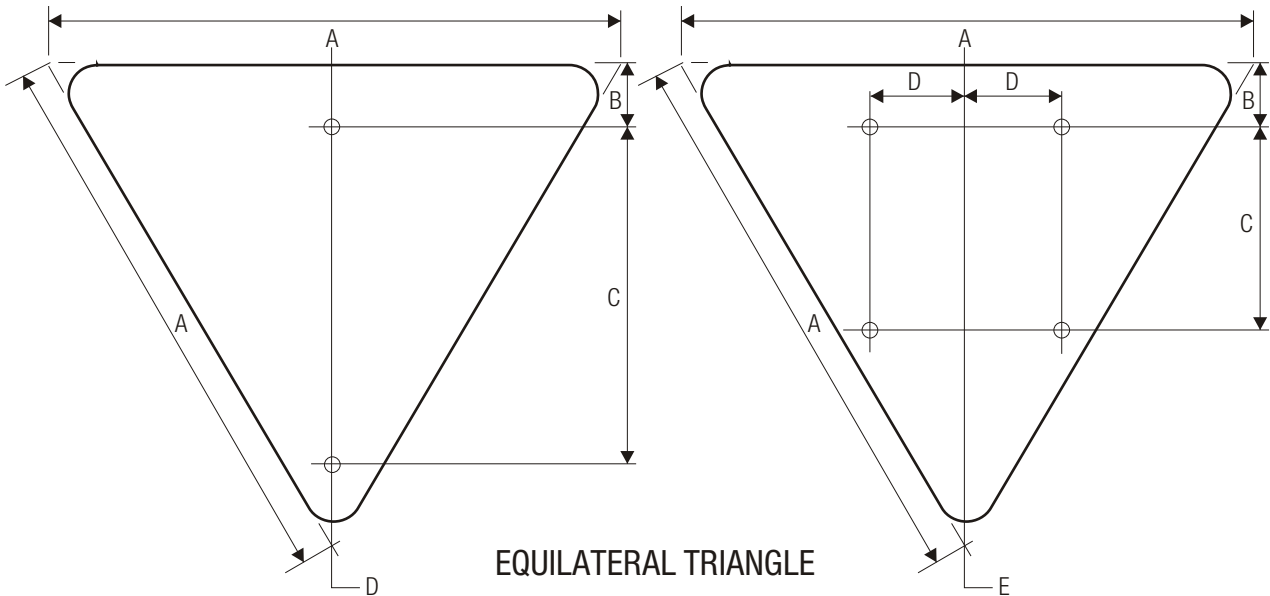
(ENGLISH)



OCTAGON

A	B	C
24	3	18
30	3	24
36	3	30

A	B	C
48	9	30



EQUILATERAL TRIANGLE

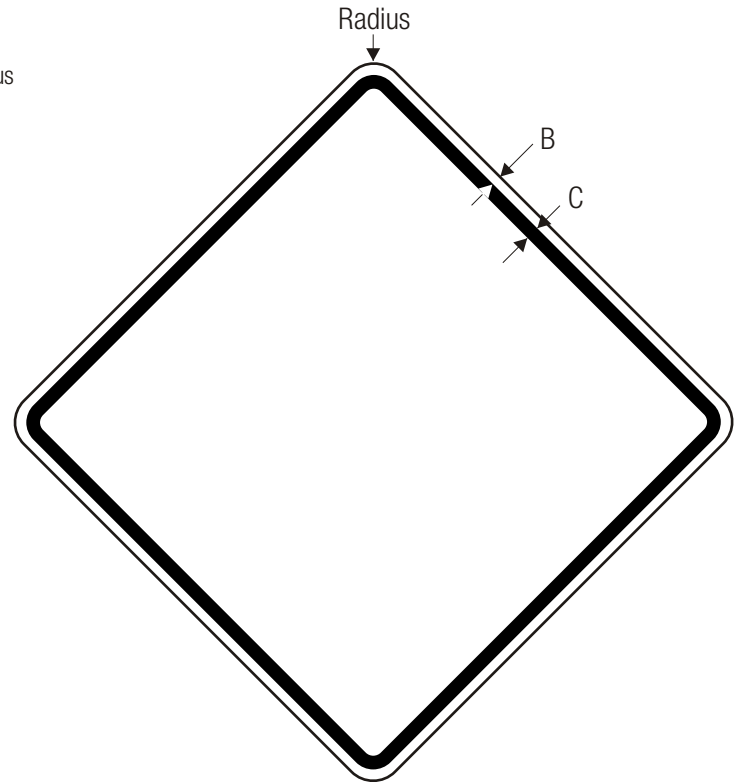
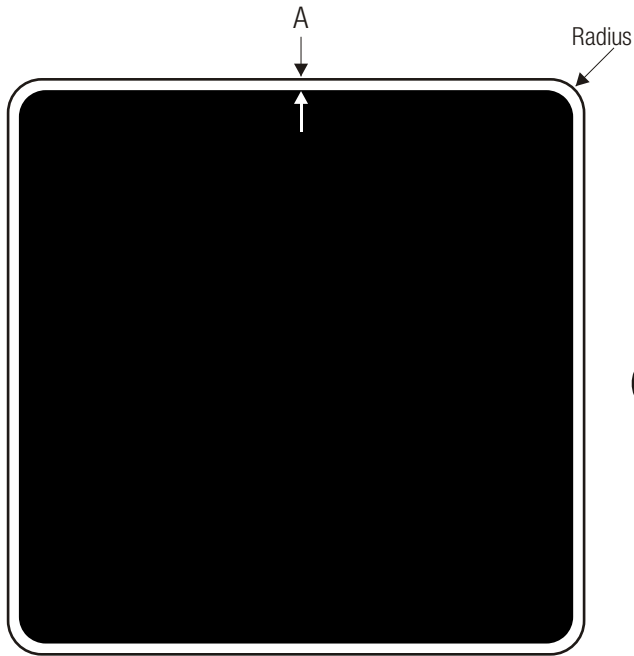
A	B	C	D
30	3	18	1.5
36	3	21	2

A	B	C	D	E
48	3	12	12	3
60	3	18	15	4

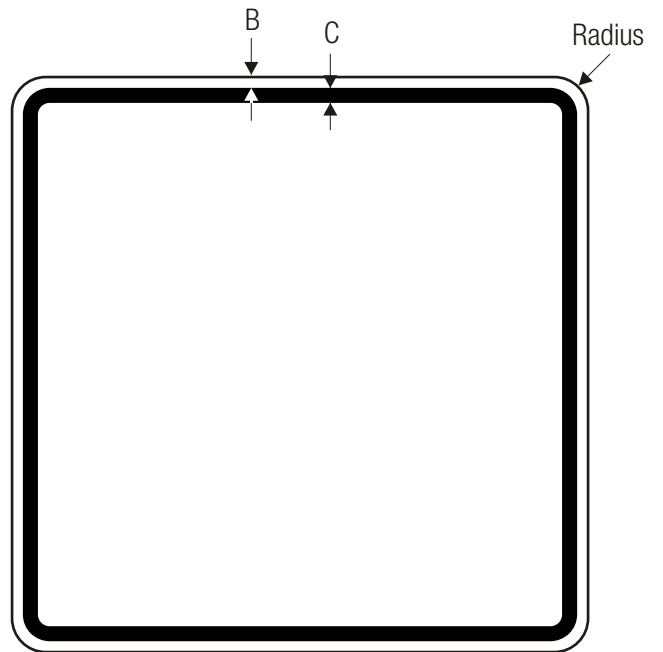
PEDESTRIAN SIGNAL INDICATORS



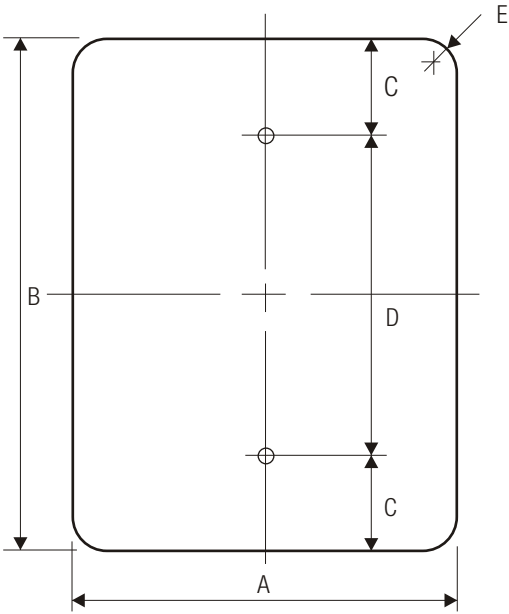
Standard Highway Sign Border Specifications



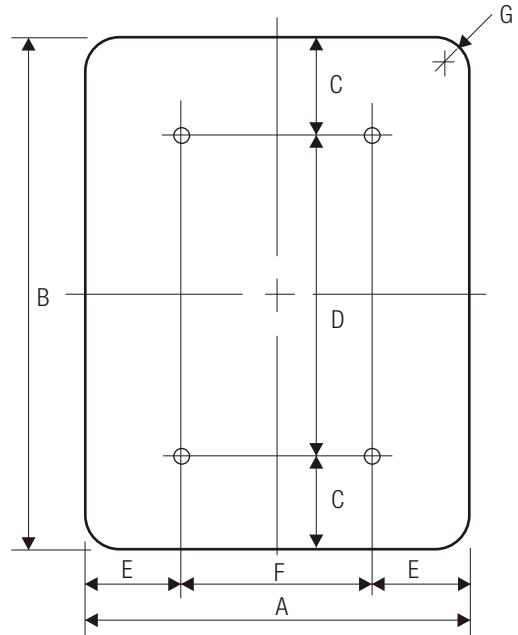
SIGN SIZE (inch)	EQUIVALENT (mm)	BORDER WIDTHS (inch)			RADIUS (inch)
		A	B	C	
9	225	.375	.375	.375	1
12	300	.375	.375	.438	1.5
18	450	.5	.375	.625	1.5
24	600	.5	.375	.625	1.5
30	750	.75	.5	.75	1.875
36	900	.75	.625	.875	2.25
48	1200	1	.75	1.25	3
60	1500	1	.75	1.25	3



VERTICAL RECTANGLE

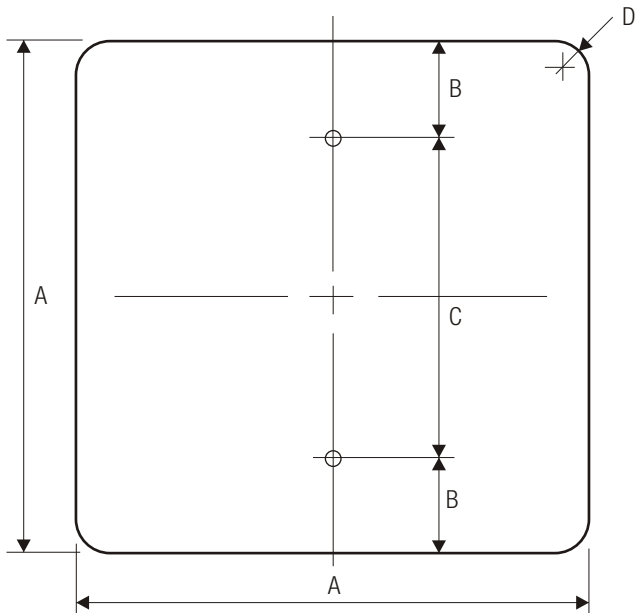


A	B	C	D	E
12	18	1.5	15	1.5
18	24	3	18	1.5
24	30	3	24	1.5
30	36	3	30	1.875

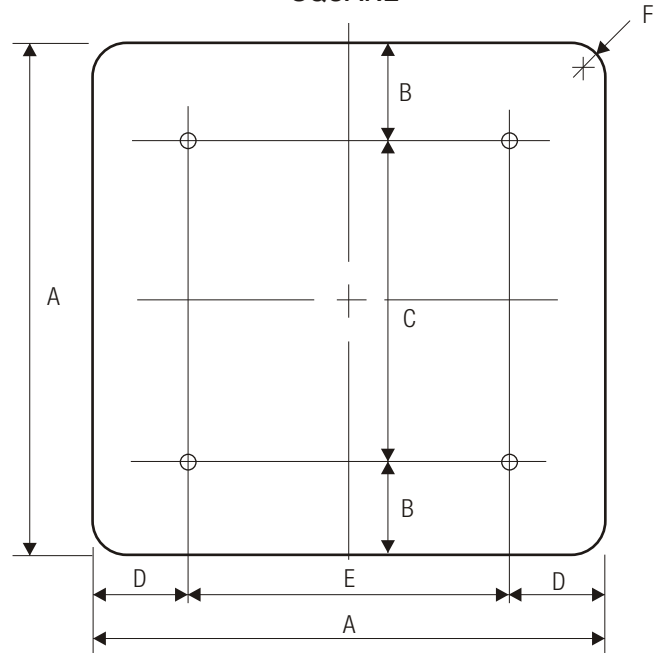


A	B	C	D	E	F	G
36	48	6	36	6	24	2.25
48	60	6	48	9	30	3

SQUARE



A	B	C	D
18	3	12	1.5
24	3	18	1.5
30	3	24	1.875



A	B	C	D	E	F
36	6	24	6	24	2.25
48	6	36	9	30	3