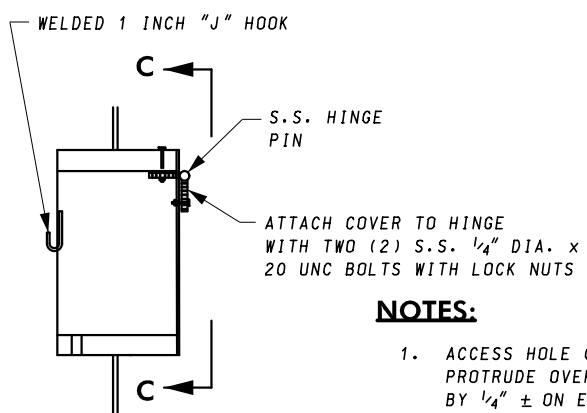


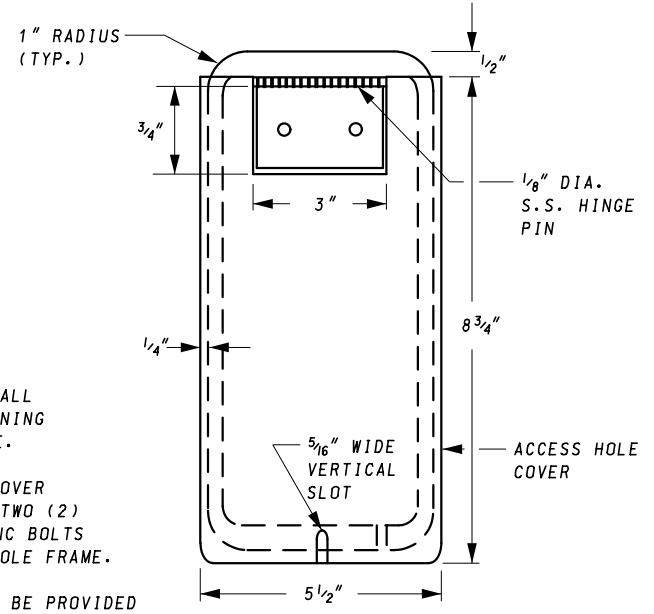
VIEW A-A



VIEW B-B

NOTES:

1. ACCESS HOLE COVER SHALL PROTRUDE OVERALL OPENING BY 1/4" ± ON EACH SIDE.
2. ATTACH ACCESS HOLE COVER HINGE TO FRAME WITH TWO (2) S.S. 1/4" DIA. x 20 UNC BOLTS TAPPED INTO ACCESS HOLE FRAME.
3. STEEL "J" HOOK SHALL BE PROVIDED AT UPPER ACCESS HOLES ONLY.



VIEW C-C

SPECIFICATION 818	CATEGORY CODE ITEMS
APPROVED	<i>Cedric Wald</i> DIRECTOR - OFFICE OF TRAFFIC AND SAFETY
APPROVAL SHA REVISIONS	APPROVAL FEDERAL HIGHWAY ADMINISTRATION
APPROVAL 7-1-94	APPROVAL 7-1-94
REVISED 5-17-07	REVISED 5-2-07
REVISED 11-20-19	REVISED 9-4-19
REVISED	REVISED

MDOT MARYLAND DEPARTMENT OF TRANSPORTATION
STATE HIGHWAY ADMINISTRATION

STANDARDS FOR HIGHWAYS AND INCIDENTAL STRUCTURES

**ACCESS HOLE FOR TRAFFIC SIGNAL
AND SIGN STRUCTURES**

STANDARD NO. MD 818.11