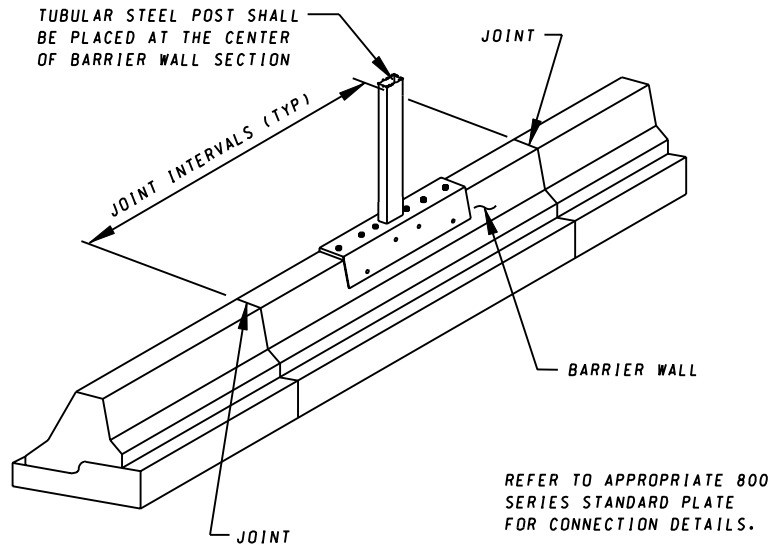
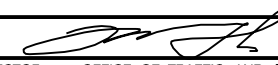



CONCRETE BARRIER MOUNTED SIGN
(MAXIMUM SIGN AREA – 40 SQ. FT.)

NOTES:

1. ANCHOR BOLTS SHALL BE ASTM F 1554, GR 55 S1 GALVANIZED. NUTS SHALL BE ASTM A194 GRADE 2 OR 2H.
2. TUBULAR STEEL POST TS 6" x 4" x 3/8" SHALL BE A501 UNLESS OTHERWISE NOTED.
3. REFER TO APPROPRIATE 800 SERIES STANDARD PLATES FOR ALTERNATIVE SIGN ATTACHMENT TO STEEL TUBE POSTS OR W6x12 POSTS.
4. ALL STRUCTURAL STEEL AND HARDWARE SHALL BE GALVANIZED IN CONFORMANCE WITH A123 AND A153, RESPECTIVELY.
5. ALL PLATES AND W6x12 POST SHALL CONFORM TO A709, GRADE 36.



SPECIFICATION 813	CATEGORY CODE ITEMS	
APPROVED	 DIRECTOR - OFFICE OF TRAFFIC AND SAFETY	
 SHA State Highway Administration	APPROVAL • SHA REVISIONS	APPROVAL • FEDERAL HIGHWAY ADMINISTRATION
	APPROVAL 2-21-95	APPROVAL 2-21-95
	REVISED 10-1-01	REVISED 2-1-01
	REVISED	REVISED
	REVISED	REVISED

Maryland Department of Transportation
STATE HIGHWAY ADMINISTRATION
 STANDARDS FOR HIGHWAYS AND INCIDENTAL STRUCTURES

SPECIAL SIGN SUPPORTS
CONCRETE BARRIER MOUNTED SIGN

STANDARD NO. MD 813.09-03