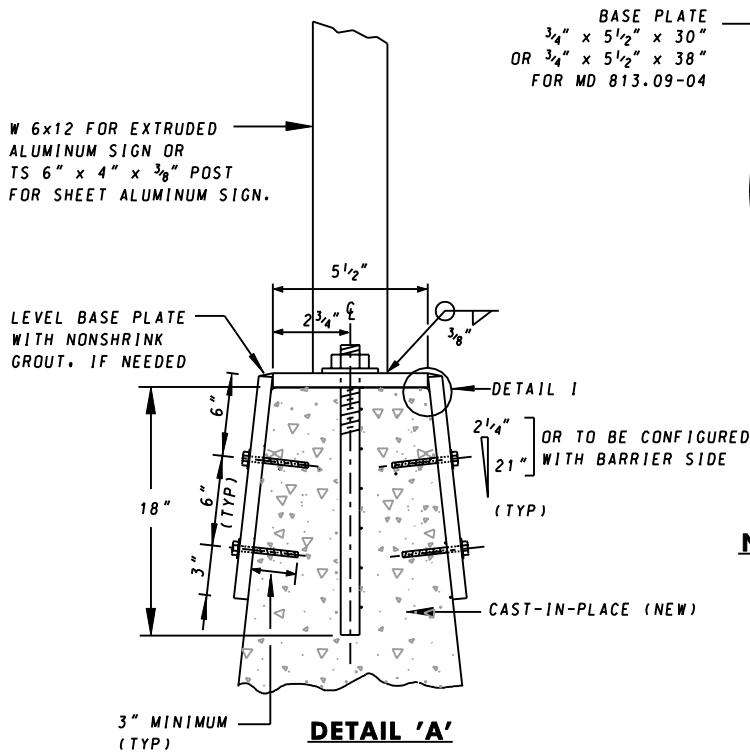
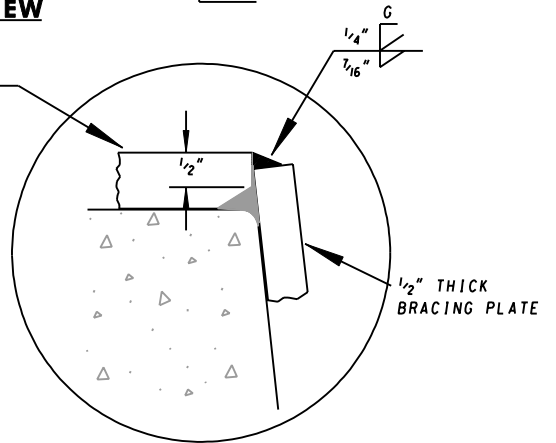


DETAIL 'A' - SIDE VIEW



DETAIL 'A'



DETAIL I

NOTES:

1. SLIP FORM SHALL NOT BE USED WITHIN 5'-0" EITHER SIDE OF THE POST.
2. REFER TO OTHER APPROPRIATE 800 SERIES STANDARD PLATES FOR ALTERNATE ATTACHMENT DETAILS.

SPECIFICATION **813** CATEGORY CODE ITEMS

APPROVED

DIRECTOR - OFFICE OF TRAFFIC AND SAFETY



APPROVAL • SHA REVISIONS	APPROVAL • FEDERAL HIGHWAY ADMINISTRATION
APPROVAL 2-21-95	APPROVAL 2-21-95
REVISED 10-1-01	REVISED 2-1-01
REVISED	REVISED
REVISED	REVISED

Maryland Department of Transportation
STATE HIGHWAY ADMINISTRATION
 STANDARDS FOR HIGHWAYS AND INCIDENTAL STRUCTURES

SPECIAL SIGN SUPPORTS FOR
CAST-IN-PLACE CONCRETE BARRIER

STANDARD NO.

MD 813.09-02