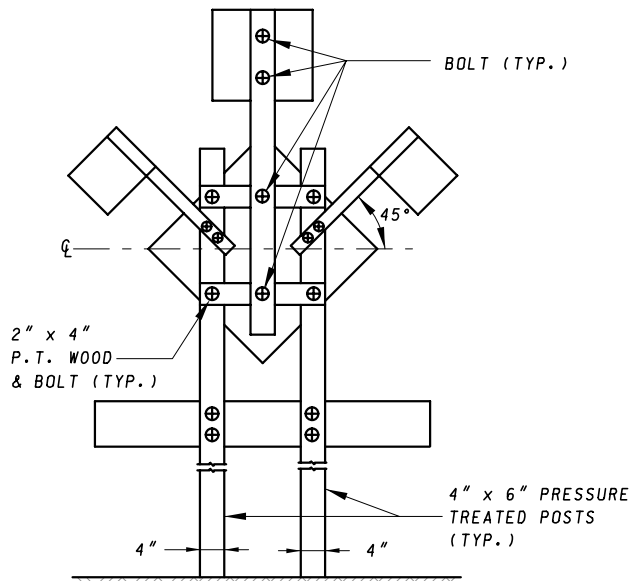


NOTE:
30" = STD. POLE SPACING FOR 48" SIGN BLANKS.

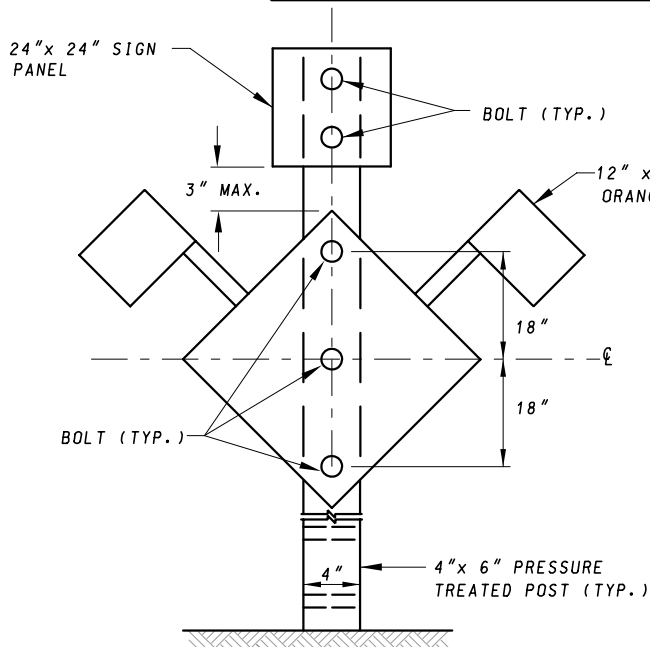
**FRONT VIEW
WITHOUT FLAGS**



REFER TO WOOD SIGN SUPPORT FOUNDATIONS AND BREAKAWAY FEATURES STANDARD PLATES FOR WOOD SIGN SUPPORT MODIFICATIONS.

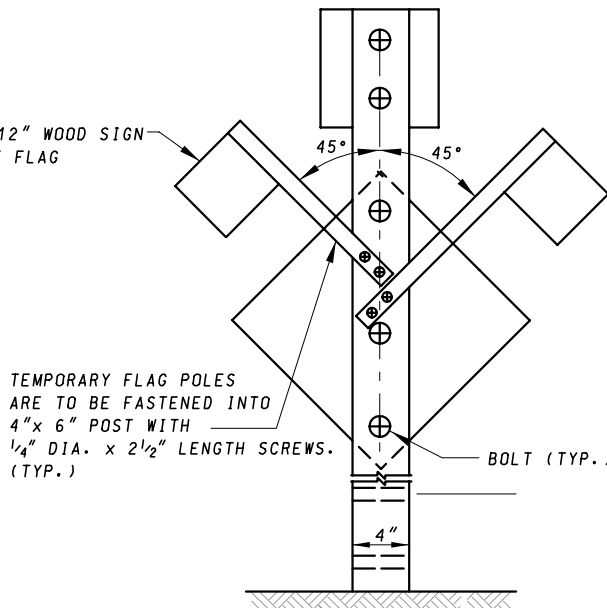
**BACK VIEW
WITH FLAGS**

SUPPORT PLACEMENT AND MOUNTING FOR 48" SIGN



FRONT VIEW



REFER TO WOOD SIGN POSTS VERTICAL AND LATERAL CLEARANCE STANDARD PLATE FOR SIGN CLEARANCES.



BACK VIEW

TEMPORARY FLAG POLES ARE TO BE FASTENED INTO 4" x 6" POST WITH 1/4" DIA. x 2 1/2" LENGTH SCREWS (TYP.)

SUPPORT PLACEMENT AND MOUNTING FOR 36" SIGN

SPECIFICATION 812, 813	CATEGORY CODE ITEMS	Maryland Department of Transportation STATE HIGHWAY ADMINISTRATION STANDARDS FOR HIGHWAYS AND INCIDENTAL STRUCTURES	
APPROVED	 DIRECTOR - OFFICE OF TRAFFIC AND SAFETY		
	APPROVAL • SHA REVISIONS	APPROVAL • FEDERAL HIGHWAY ADMINISTRATION	GROUND MOUNTED SIGN DETAILS (W3-3 NEW) STANDARD NO. MD 813.01
	APPROVAL 7-1-94	APPROVAL 7-1-94	
	REVISED 5-17-07	REVISED 5-2-07	
	REVISED	REVISED	