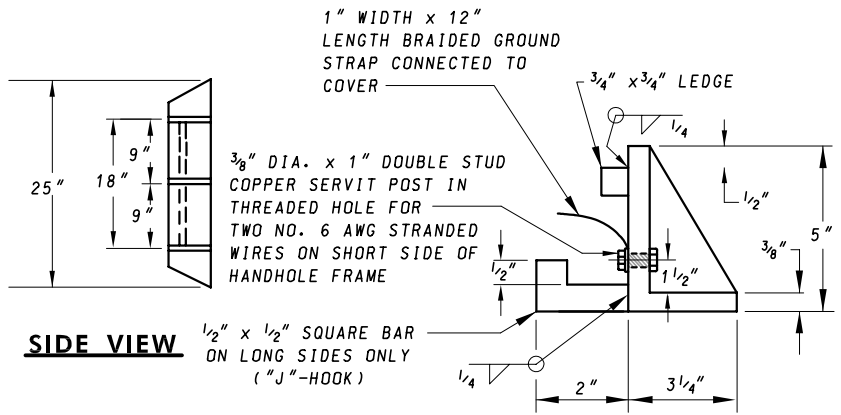
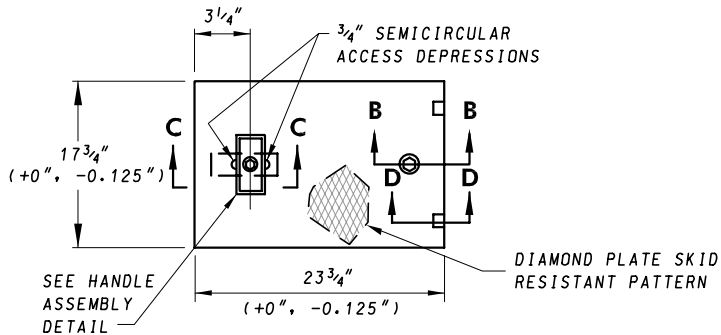


**ELEVATION
HANDHOLE FRAME**

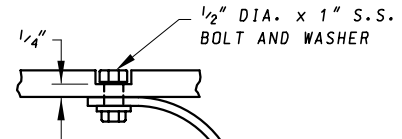


SIDE VIEW

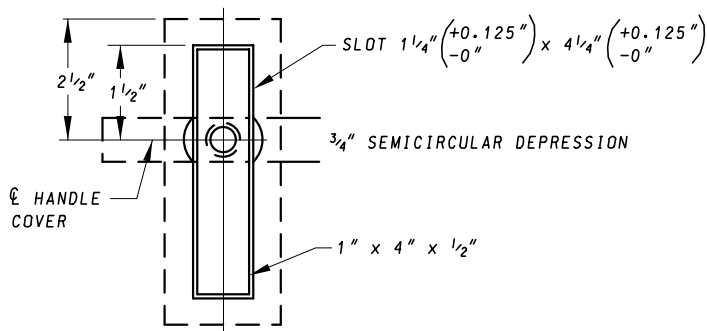
SECTION A-A (FRAME)



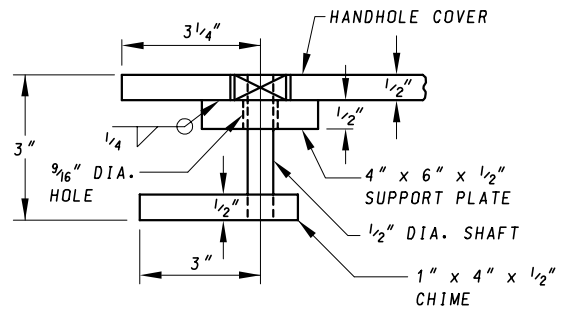
HANDHOLE COVER TOP VIEW



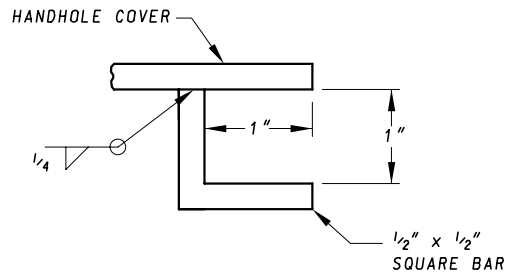
SECTION B-B (COVER)



HANDLE ASSEMBLY DETAIL



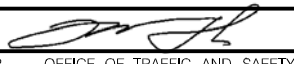

SECTION C-C (HANDLE)



SECTION D-D (FRAME) (TYP.)

NOTES:

1. ALL METALLIC CONDUIT ENDS, FRAME, AND COVER SHALL BE BONDED WITH OTHER CONDUIT ENDS USING BONDING BUSHINGS AND NO. 6 AWG STRANDED COPPER WIRE.
2. HANDHOLE FRAME AND COVER SHALL BE GALVANIZED PER A123 AND A153, RESPECTIVELY.

SPECIFICATION 811	CATEGORY CODE ITEMS
APPROVED	 DIRECTOR - OFFICE OF TRAFFIC AND SAFETY
	APPROVAL • SHA REVISIONS
	APPROVAL • FEDERAL HIGHWAY ADMINISTRATION
	APPROVAL 7-1-94
	REVISD 5-17-07
	REVISD

**Maryland Department of Transportation
STATE HIGHWAY ADMINISTRATION**
STANDARDS FOR HIGHWAYS AND INCIDENTAL STRUCTURES

HANDHOLE FRAME AND COVER

STANDARD NO.

MD 811.02