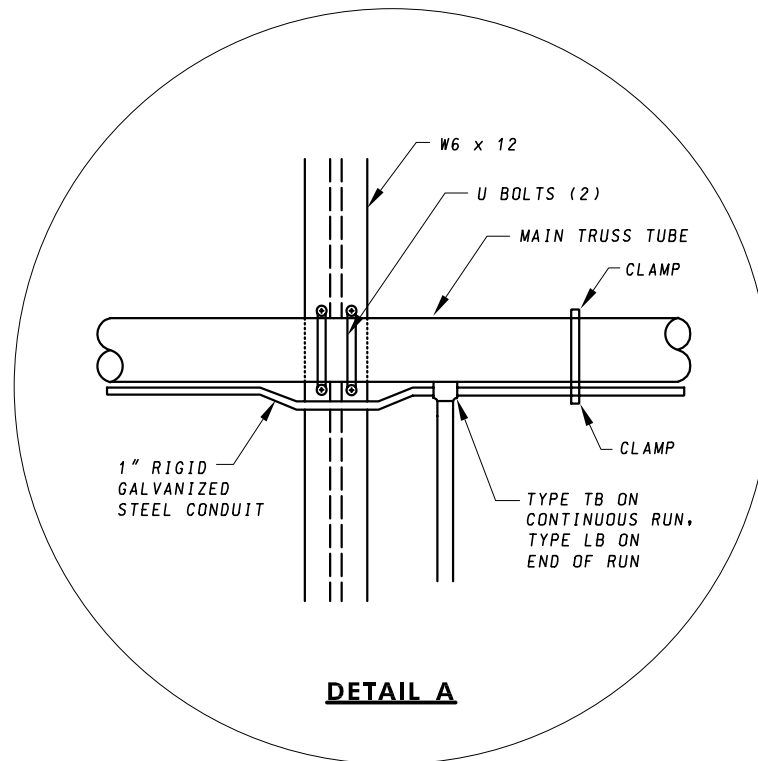




**TYPICAL OVERHEAD SIGN STRUCTURE**



SPECIFICATION <b>803, 806</b>	CATEGORY CODE ITEMS
APPROVED	 DIRECTOR - OFFICE OF TRAFFIC AND SAFETY
	APPROVAL • SHA REVISIONS
	APPROVAL • FEDERAL HIGHWAY ADMINISTRATION
	APPROVAL 2-21-95
	REVISIONS 5-17-07
	REVISIONS

**Maryland Department of Transportation**  
**STATE HIGHWAY ADMINISTRATION**  
 STANDARDS FOR HIGHWAYS AND INCIDENTAL STRUCTURES  
**MOUNTING FOR SIGN / LUMINAIRE**  
**OVERHEAD STRUCTURES**

STANDARD NO.

MD 806.02