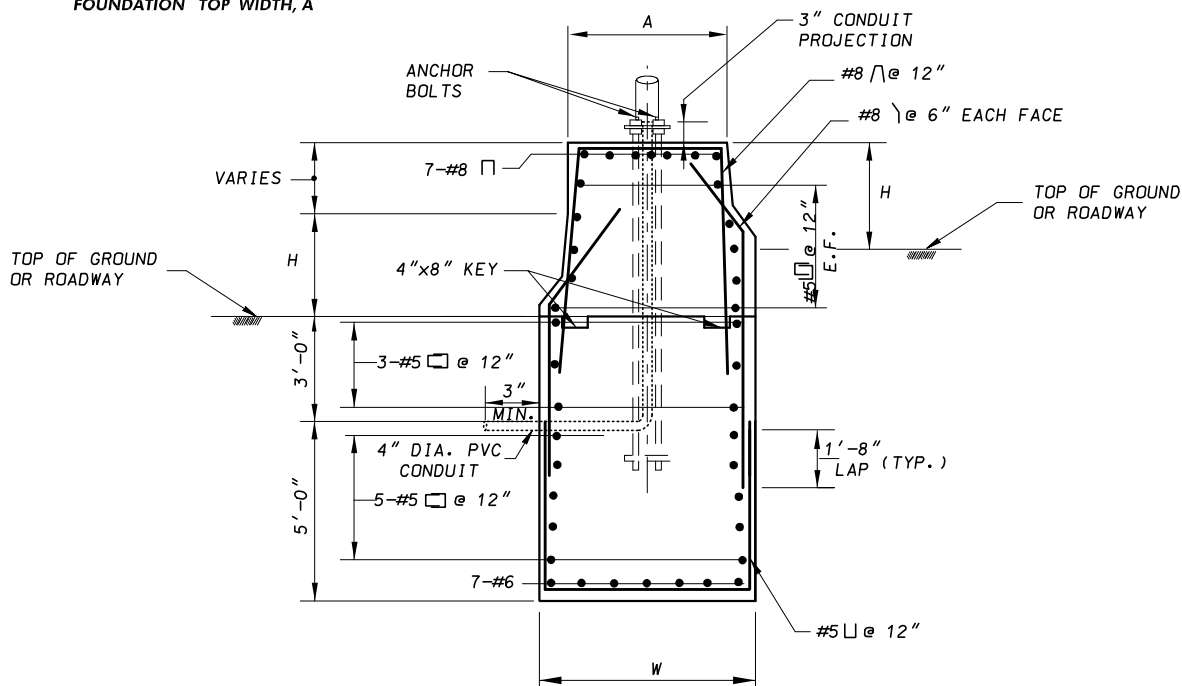


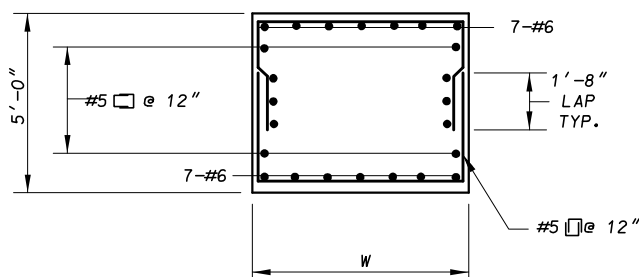
| FOUNDATION VS BARRIER TYPE | H      | W= 4 FT<br>A | W= 6 FT<br>A |
|----------------------------|--------|--------------|--------------|
| 34" A,B,C,D, E, TYPE       | 2'-10" | 2'-5 1/2"    | 4'-5 1/2"    |
| 34" F SHAPE                | 2'-10" | 2'-9"        | 4'-9"        |
| 42" F SHAPE                | 3'-6"  | 2'-7"        | 4'-7"        |

FOUNDATION TOP WIDTH, A



**SECTION E-E**

(REFER TO APPROPRIATE 800 SERIES STANDARD)

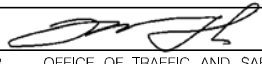



**SECTION F-F**

(REFER TO APPROPRIATE 800 SERIES STANDARD)

**NOTE:**

FOR ANCHOR BASE DETAILS, REFER TO APPROPRIATE 800 SERIES STANDARD PLATE.

|   |  |
|---|--|
| SPECIFICATION<br>803  | CATEGORY CODE ITEMS  |
| APPROVED  | <br>DIRECTOR - OFFICE OF TRAFFIC AND SAFETY |
|  | APPROVAL • SHA REVISIONS   |
|   | APPROVAL 8-12-02   |
|   | REVISED 5-20-11  |
|   | REVISED  |

**Maryland Department of Transportation**  
**STATE HIGHWAY ADMINISTRATION**  
 STANDARDS FOR HIGHWAYS AND INCIDENTAL STRUCTURES

**OVERHEAD SPAN SIGN STRUCTURE FOUNDATION**  
**TYPE B AT CONCRETE MEDIAN BARRIER**

STANDARD NO.

MD 803.08-22