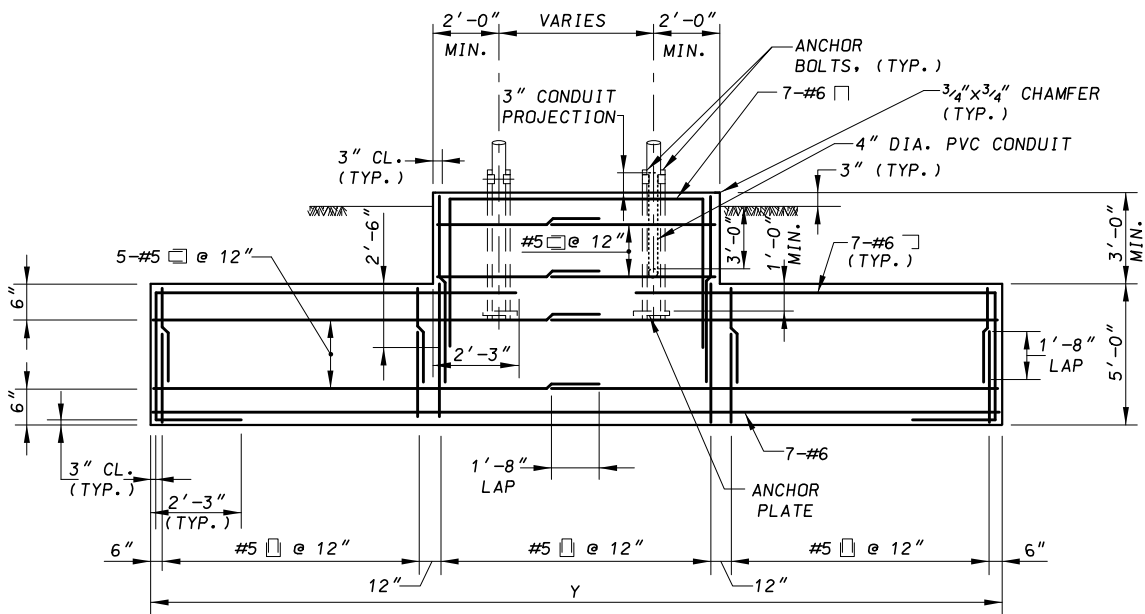


PLAN



SECTION A-A

NOTE:

FOR ANCHOR BASE DETAILS, REFER TO APPROPRIATE 800 SERIES STANDARD PLATE.

SPECIFICATION 803	CATEGORY CODE ITEMS	
APPROVED		
	DIRECTOR - OFFICE OF TRAFFIC AND SAFETY	
	APPROVAL • SHA	APPROVAL • FEDERAL
	REVISIONS	HIGHWAY ADMINISTRATION
	APPROVAL 8-12-02	APPROVAL 9-4-02
	REVISED 5-20-11	REVISED 4-22-11
	REVISED	REVISED
	REVISED	REVISED

Maryland Department of Transportation
STATE HIGHWAY ADMINISTRATION
 STANDARDS FOR HIGHWAYS AND INCIDENTAL STRUCTURES
OVERHEAD SPAN SIGN STRUCTURES
FOUNDATION DETAILS
TYPE A

STANDARD NO.

MD 803.08-19