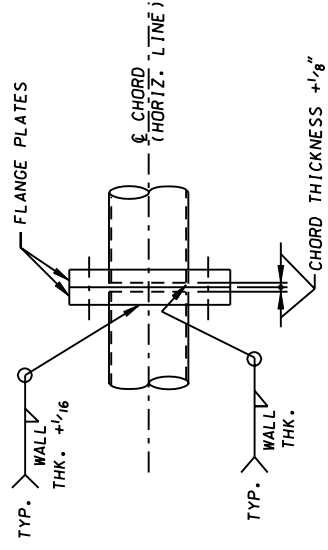
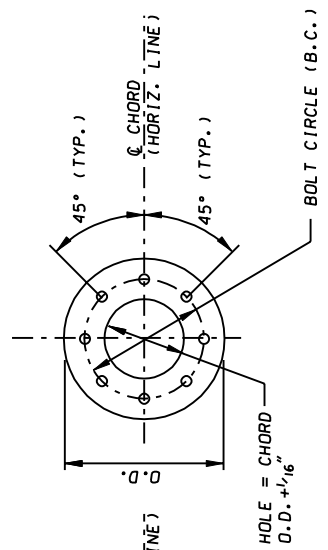


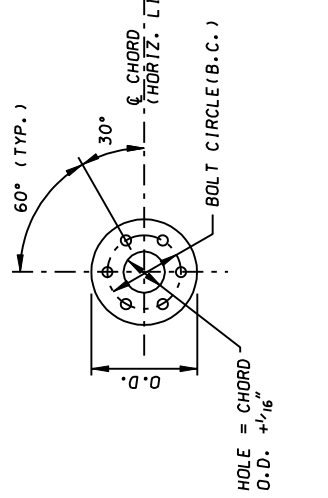
OVERHEAD SIGN CHORD SPlice SCHEDULE			
CHORD SIZE	O.D.	B.C.	NO. & SIZE OF BOLTS
4.50" O.D.	11 1/2"	8"	SIX (6)-1" DIA.
6.625" O.D.	13 3/4"	10 1/4"	EIGHT (8)-1" DIA.
8.625" O.D.	17 1/2"	13"	EIGHT (8)-1 1/4" DIA.
			FLANGE PLATE THICKNESS
			1 1/2"
			1 3/4"
			2"



FLANGE SPlice DETAIL
(FROM 800 SERIES STANDARD)

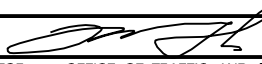



FLANGE PLATE
(EIGHT (8) BOLT PATTERN)



FLANGE PLATE
(SIX (6) BOLT PATTERN)

NOTE:
OPTIONAL CHORD SPlices FOR CANTILEVER BOX TRUSS STRUCTURES MAY BE PROVIDED USING THIS DETAIL.

SPECIFICATION 803	CATEGORY CODE ITEMS
APPROVED	 DIRECTOR - OFFICE OF TRAFFIC AND SAFETY
	APPROVAL • SHA REVISIONS
	APPROVAL • FEDERAL HIGHWAY ADMINISTRATION
	APPROVAL 8-12-02
	APPROVAL 9-4-02
REVISED	REVISED
REVISED	REVISED
REVISED	REVISED

Maryland Department of Transportation
STATE HIGHWAY ADMINISTRATION
 STANDARDS FOR HIGHWAYS AND INCIDENTAL STRUCTURES
OVERHEAD SPAN SIGN STRUCTURES
CHORD SPlice DETAILS / DATA

STANDARD NO. MD 803.08-15