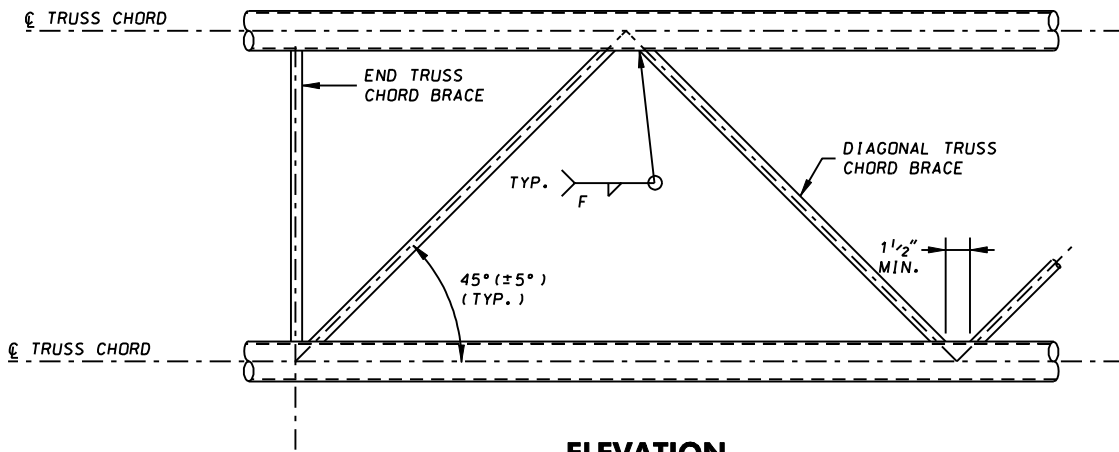


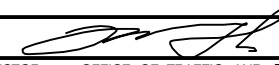

NOTE:
TOP & BOTTOM TRUSS CHORD BRACING PATTERN SIMILAR TO FRONT AND REAR BRACING

MEMBER SIZE	F
1.900" O.D. x 0.145" THK.	1/4"
2.375" O.D. x 0.154" THK.	1/4"
2.375" O.D. x 0.218" THK.	1/4"
2.875" O.D. x 0.203" THK.	1/4"
3.500" O.D. x 0.216" THK.	5/16"



NOTES:

1. TRUSS CHORD BRACING SHALL BE COPED FOR PROPER FIT UP TO TRUSS CHORD IN ACCORDANCE WITH AWS D1.1.
2. PROPER AND ADEQUATE VENTING FOR GALVANIZING SHALL BE PROVIDED. ALL VENTING HOLES SHALL BE INTERNAL AND CONFORM TO ASTM A 385.

SPECIFICATION 803	CATEGORY CODE ITEMS
APPROVED	 DIRECTOR - OFFICE OF TRAFFIC AND SAFETY
	APPROVAL • SHA REVISIONS
	APPROVAL 8-12-02
	REVISED
	REVISED
	APPROVAL • FEDERAL HIGHWAY ADMINISTRATION
	APPROVAL 9-4-02
	REVISED
	REVISED
	REVISED

**Maryland Department of Transportation
STATE HIGHWAY ADMINISTRATION**
STANDARDS FOR HIGHWAYS AND INCIDENTAL STRUCTURES
**OVERHEAD SPAN SIGN STRUCTURES
TRUSS DETAILS / DATA**

STANDARD NO.

MD 803.08-14