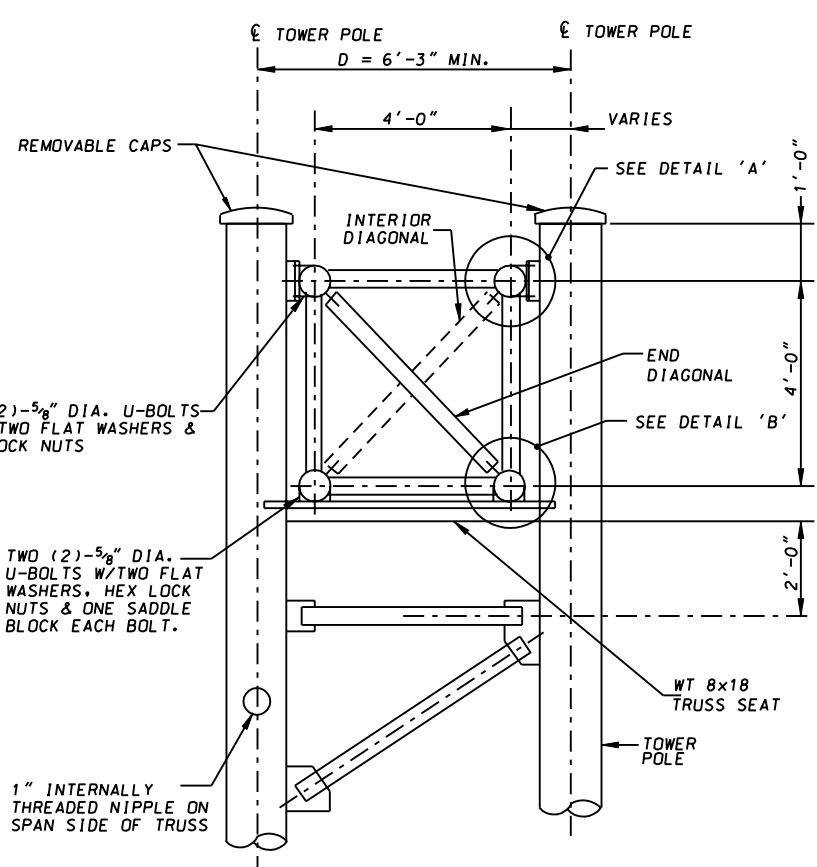
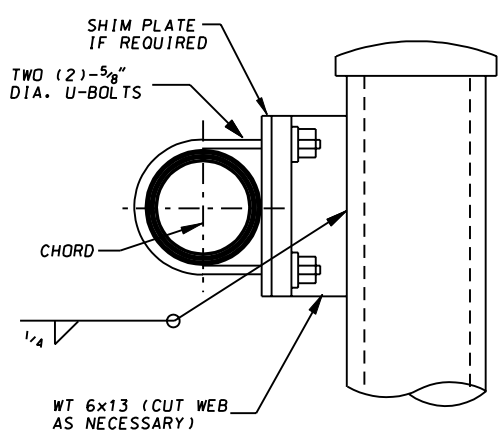


SECTION A-A

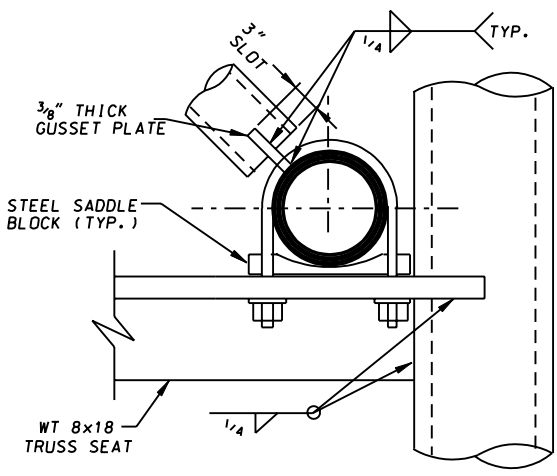
(REFER TO APPROPRIATE 800 SERIES STANDARD)



POLE & CHORD CONNECTION DETAIL

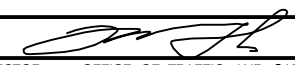



DETAIL A



DETAIL B

(VERTICAL AND HORIZONTAL TRUSS MEMBERS NOT SHOWN FOR CLARITY.)

SPECIFICATION 803	CATEGORY CODE ITEMS
APPROVED	 DIRECTOR - OFFICE OF TRAFFIC AND SAFETY
	APPROVAL • SHA REVISIONS
	APPROVAL • FEDERAL HIGHWAY ADMINISTRATION
	APPROVAL 8-12-02
	APPROVAL 9-4-02
REVISED	REVISED
REVISED	REVISED
REVISED	REVISED

Maryland Department of Transportation
STATE HIGHWAY ADMINISTRATION
 STANDARDS FOR HIGHWAYS AND INCIDENTAL STRUCTURES

OVERHEAD SPAN SIGN STRUCTURES
POLE AND CHORD CONNECTION DETAIL

STANDARD NO. MD 803.08-13