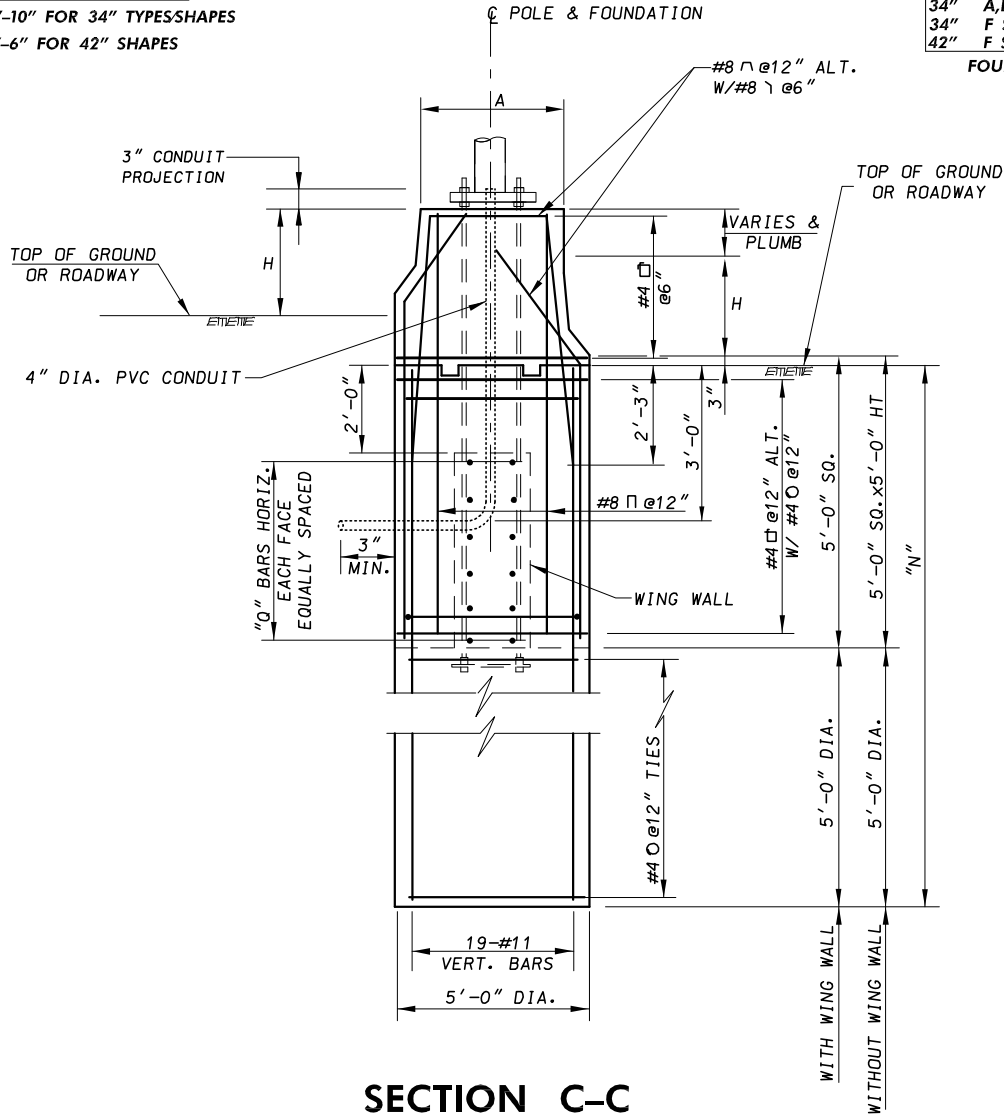


BARRIER HEIGHT, H:
 2'-10" FOR 34" TYPES SHAPES
 3'-6" FOR 42" SHAPES

BARRIER TYPE	A
34" A, B, C, D, E, TYPE	3'-5 1/2"
34" F SHAPE	3'-9"
42" F SHAPE	3'-7"

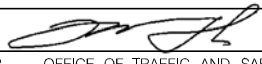

FOUNDATION TOP WIDTH, A



SECTION C-C

NOTES:

1. THIS DIMENSION WILL BE LARGER ON THE LOWER ROADWAY SIDE WHEN THE ROADWAY LEVELS ARE DIFFERENT.
2. ADJUST REINFORCEMENT FOR SINGLE FACE BARRIER.
3. FOR FOUNDATION DETAIL SCHEDULE, REFER TO APPROPRIATE 800 SERIES STANDARD PLATE.

SPECIFICATION 803	CATEGORY CODE ITEMS
APPROVED	 DIRECTOR - OFFICE OF TRAFFIC AND SAFETY
	APPROVAL • SHA REVISIONS
	APPROVAL • FEDERAL HIGHWAY ADMINISTRATION
	APPROVAL 8-12-02
	REVISIONS 5-20-11
	REVISIONS

**Maryland Department of Transportation
 STATE HIGHWAY ADMINISTRATION**

STANDARDS FOR HIGHWAYS AND INCIDENTAL STRUCTURES

**CANTILEVER SIGN STRUCTURE FOUNDATION
 TYPE B AT CONCRETE MEDIAN BARRIER**

STANDARD NO.

MD 803.07-03