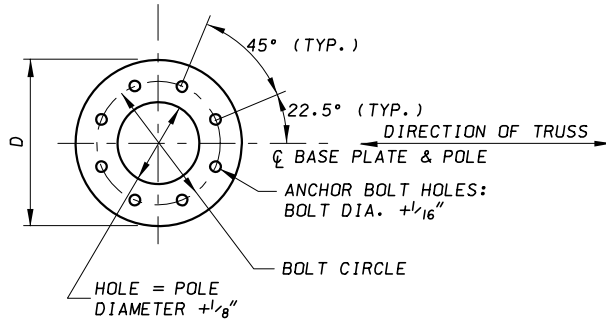




DETAIL A

STIFFENER PLATE

REFER TO BOX TRUSS CANTILEVER SIGN STRUCTURES
POLE ANCHOR BASE DETAILS / DATA STANDARD PLATE
FOR ANCHOR BASE DETAILS.



PLAN - ANCHOR PLATE & TEMPLATE

SPECIFICATION 803	CATEGORY CODE ITEMS
APPROVED	 DIRECTOR - OFFICE OF TRAFFIC AND SAFETY
	APPROVAL • SHA REVISIONS
	APPROVAL • FEDERAL HIGHWAY ADMINISTRATION
	APPROVAL 8-12-02
	APPROVAL 9-4-02
REVISED 5-17-07	REVISED 5-2-07
REVISED	REVISED
REVISED	REVISED

Maryland Department of Transportation
STATE HIGHWAY ADMINISTRATION
STANDARDS FOR HIGHWAYS AND INCIDENTAL STRUCTURES
BOX TRUSS CANTILEVER SIGN STRUCTURES
POLE ANCHOR BASE DETAILS / DATA

STANDARD NO.

MD 803.06-12