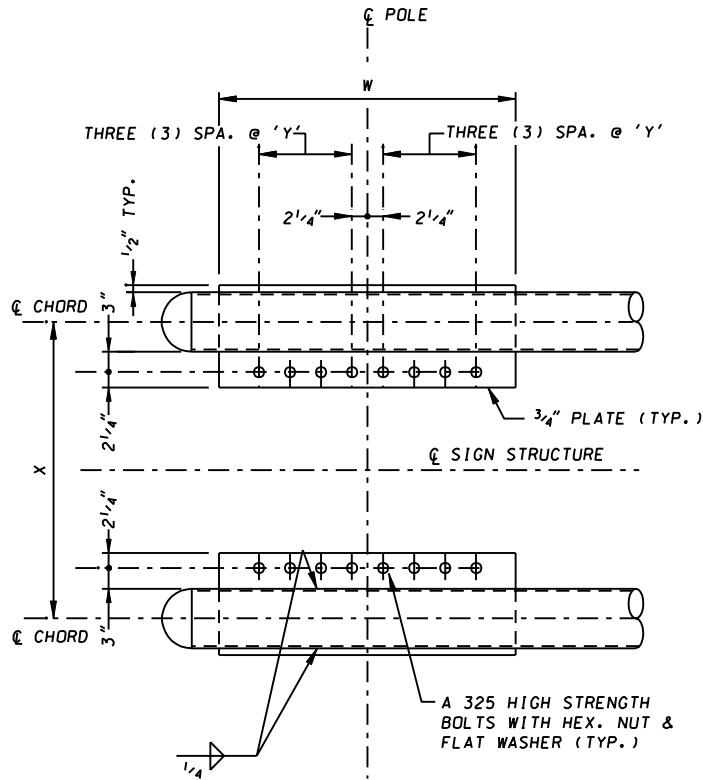


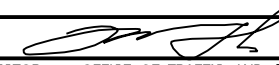

PLAN - POLE ASSEMBLY



PLAN - TRUSS ASSEMBLY

NOTE:

REFER TO APPROPRIATE 800 SERIES STANDARD PLATE REGARDING TRUSS TO POLE CONNECTION DATA.

SPECIFICATION 803	CATEGORY CODE ITEMS
APPROVED	 DIRECTOR - OFFICE OF TRAFFIC AND SAFETY
	APPROVAL • SHA REVISIONS APPROVAL 8-12-02
	APPROVAL • FEDERAL HIGHWAY ADMINISTRATION APPROVAL 9-4-02
	REVISED
	REVISED

Maryland Department of Transportation
STATE HIGHWAY ADMINISTRATION
 STANDARDS FOR HIGHWAYS AND INCIDENTAL STRUCTURES
BOX TRUSS CANTILEVER SIGN STRUCTURES
TRUSS BOTTOM CONNECTION PLATE DETAILS

STANDARD NO.

MD 803.06-08