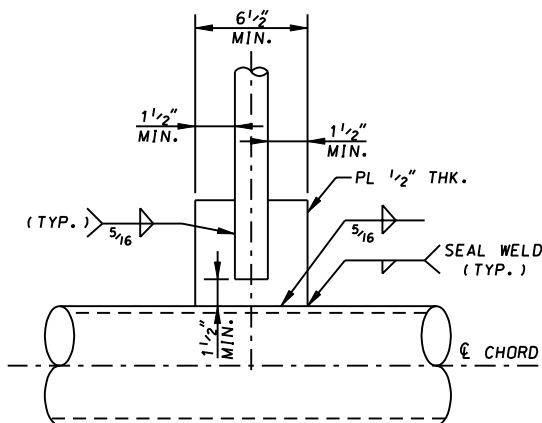


DETAIL NO. 1

REFER TO APPROPRIATE 800
SERIES STANDARD PLATE





DETAIL NO. 2

REFER TO APPROPRIATE 800
SERIES STANDARD PLATE

NOTE:

PROVIDE SLOT IN TRUSS BRACING MEMBERS
FOR CONNECTION TO GUSSET PLATES.

SPECIFICATION 803	CATEGORY CODE ITEMS
APPROVED	 DIRECTOR - OFFICE OF TRAFFIC AND SAFETY
	APPROVAL • SHA REVISIONS
	APPROVAL 8-12-02
	REVISED
	REVISED
	APPROVAL • FEDERAL HIGHWAY ADMINISTRATION
	APPROVAL 9-4-02
	REVISED
	REVISED
	REVISED

Maryland Department of Transportation
STATE HIGHWAY ADMINISTRATION
STANDARDS FOR HIGHWAYS AND INCIDENTAL STRUCTURES
SINGLE PLANE CANTILEVER SIGN STRUCTURES
GUSSET PLATE CONNECTION DETAILS

STANDARD NO.

MD 803.05-05