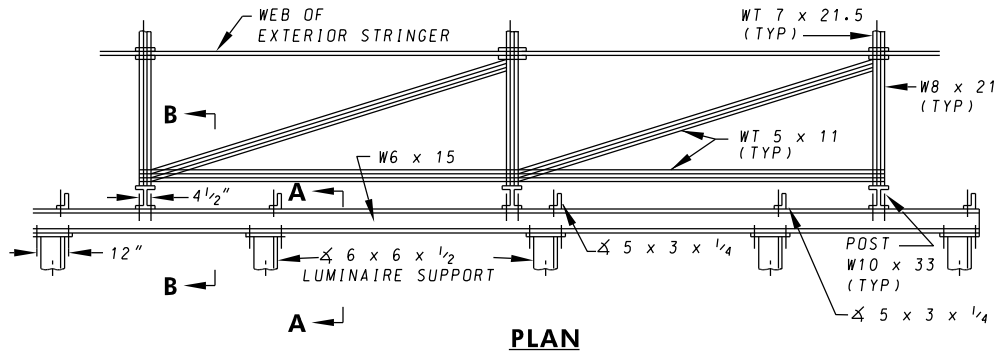
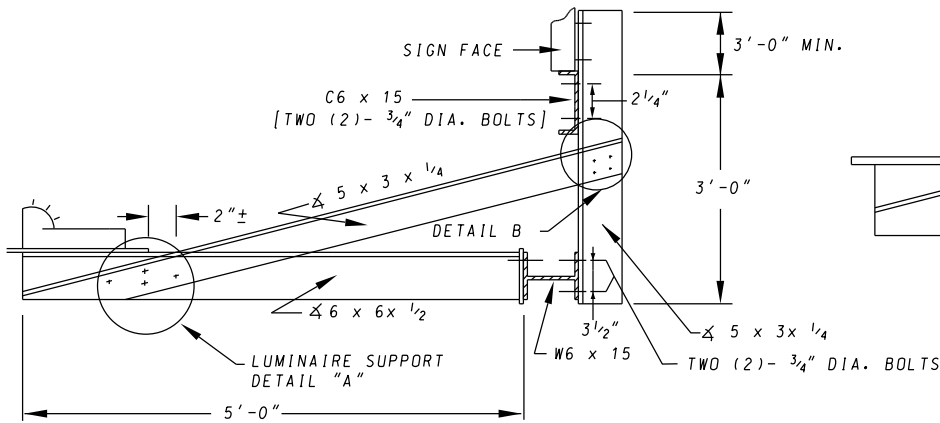


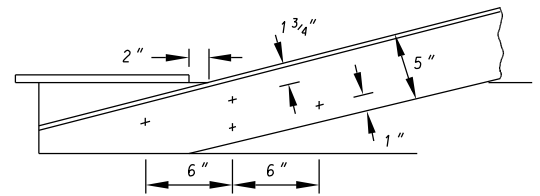
## TYPICAL BRIDGE MOUNTED SIGN STRUCTURE



**PLAN**



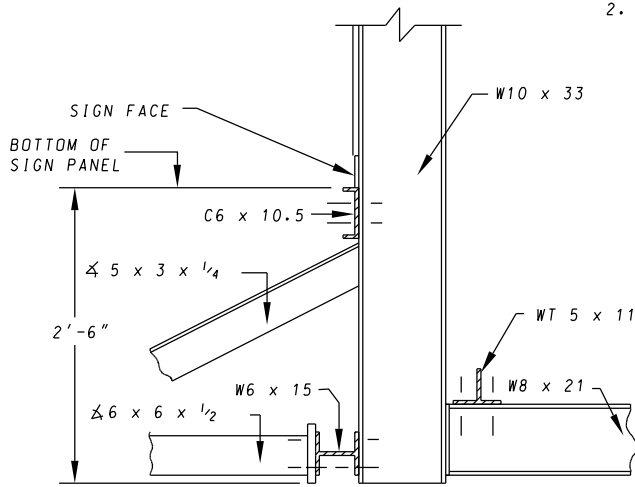
**SECTION A-A**



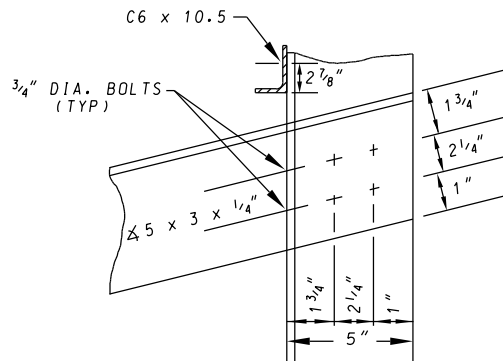
**DETAIL 'A'**

**NOTES:**

1. AFFECTED AREAS BY DRILLING HOLES IN THE FIELD SHALL BE CLEANED AND REPAIRED TO CONFORM TO A 780.
2. ALL CONNECTION BOLTS SHALL CONFORM TO A 325 WITH WASHERS & NUTS.



**SECTION B-B**



**DETAIL 'B'**

SPECIFICATION <b>402</b>	CATEGORY CODE ITEMS		
APPROVED	<i>Cedric Wald</i>		
	DIRECTOR - OFFICE OF TRAFFIC AND SAFETY		
	APPROVAL • SHA REVISIONS	APPROVAL • FEDERAL HIGHWAY ADMINISTRATION	
	APPROVAL <b>2-21-95</b>	APPROVAL <b>2-21-95</b>	
	REVISED <b>10-1-01</b>	REVISED <b>2-1-01</b>	
	REVISED	REVISED	
	REVISED	REVISED	

**Maryland Department of Transportation**  
**STATE HIGHWAY ADMINISTRATION**  
 STANDARDS FOR HIGHWAYS AND INCIDENTAL STRUCTURES  
**SIGN / LUMINAIRE SUPPORTS MOUNTING**  
**FOR BRIDGE STRUCTURES**

**STANDARD NO.**

**MD 803.03**