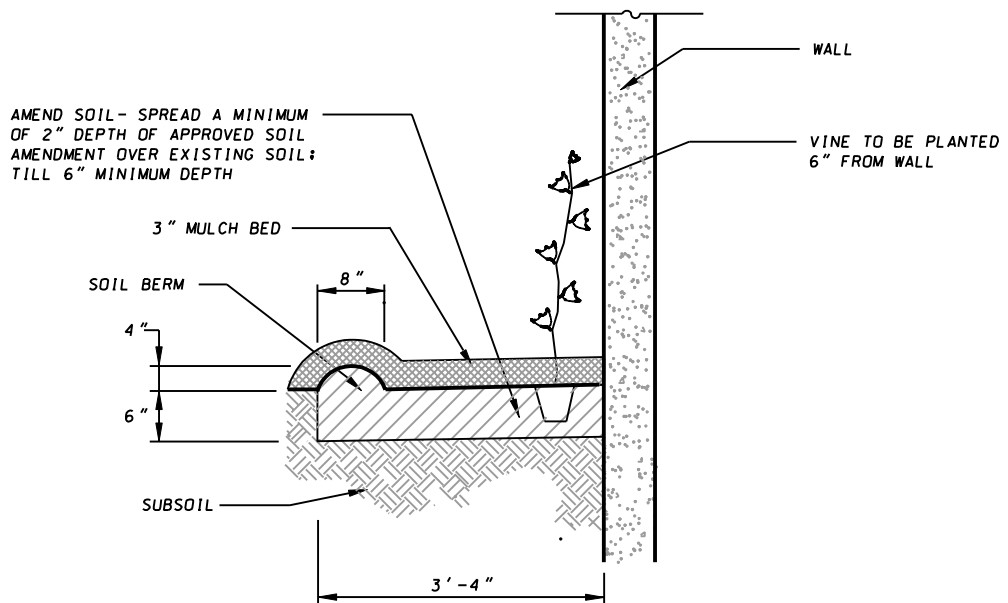



PLAN VIEW



SECTION A-A

SPECIFICATION 710	CATEGORY CODE ITEMS
APPROVED	<i>Kirk G. McCall</i> DIRECTOR - OFFICE OF HIGHWAY DEVELOPMENT
	APPROVAL • SHA REVISIONS
	APPROVAL 10-28-97
	REVISED 10-1-01
	REVISED
APPROVAL • FEDERAL HIGHWAY ADMINISTRATION	APPROVAL 6-18-97
REVISED	REVISED
REVISED	REVISED
REVISED	REVISED

Maryland Department of Transportation
STATE HIGHWAY ADMINISTRATION
 STANDARDS FOR HIGHWAYS AND INCIDENTAL STRUCTURES

PLANTING VINES ADJACENT TO WALLS
FLAT AREAS AND SLOPES FLATTER THAN 4:1

STANDARD NO. MD 710.03-10