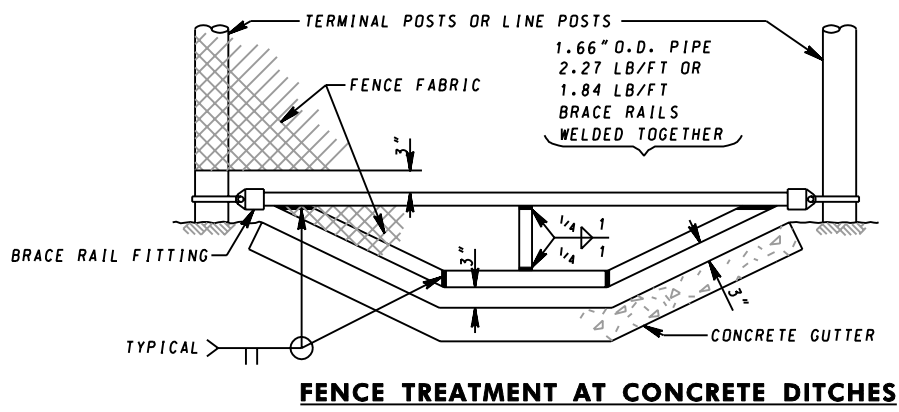



NOTE
 DOUBLE DRIVE ANCHOR
 TO BE USED AT ALL
 TERMINAL POSTS.

SECTION A-A & SECTION B-B SIMILAR ELEVATION



FENCE TREATMENT AT CONCRETE DITCHES

SPECIFICATION	CATEGORY CODE ITEMS
APPROVED	<i>Kirk G. McCall</i> DIRECTOR - OFFICE OF HIGHWAY DEVELOPMENT
	APPROVAL • SHA REVISIONS APPROVAL 8-20-71 REVISED 10-1-01 REVISED REVISED
	APPROVAL • FEDERAL HIGHWAY ADMINISTRATION APPROVAL 9-14-71 REVISED 8-1-84 REVISED REVISED

Maryland Department of Transportation
STATE HIGHWAY ADMINISTRATION
 STANDARDS FOR HIGHWAYS AND INCIDENTAL STRUCTURES

CHAIN LINK FENCE
DOUBLE DRIVE ANCHOR & DITCH TREATMENT

STANDARD NO. MD 690.23