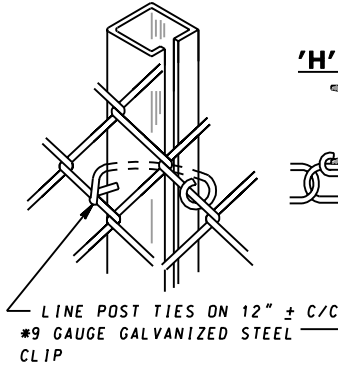
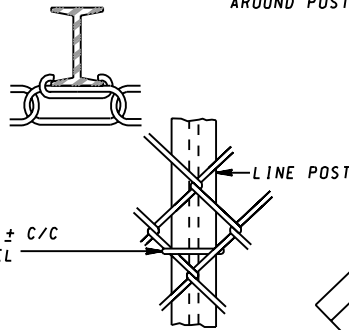


'C' POST OR 'ROUND' POST



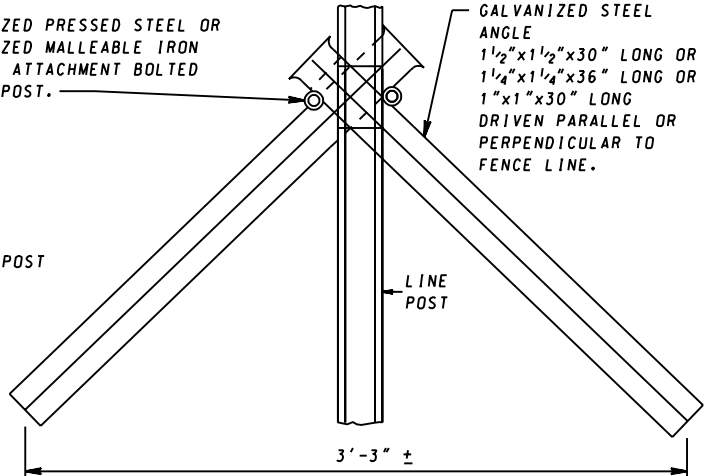
'H' POST



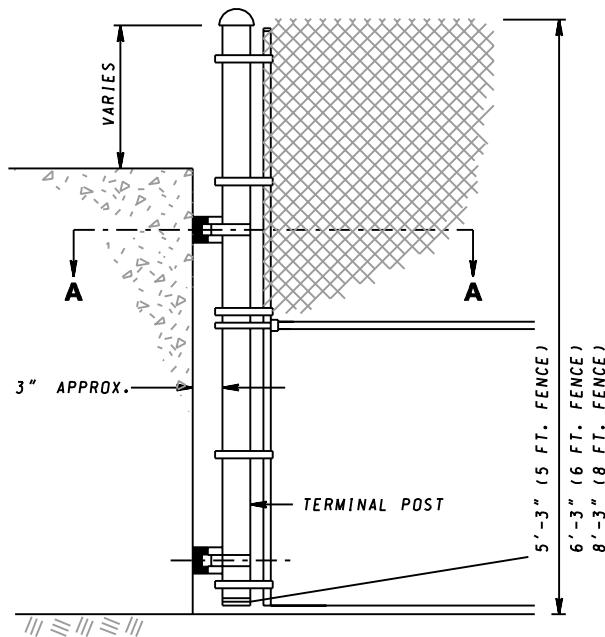
TIE WIRE ATTACHMENT FOR LINE POST

GALVANIZED PRESSED STEEL OR GALVANIZED MALLEABLE IRON SLOTTED ATTACHMENT BOLTED AROUND POST.

DRIVE ANCHOR BLADE GALVANIZED STEEL ANGLE 1 1/2" x 1 1/2" x 30" LONG OR 1 1/4" x 1 1/4" x 36" LONG OR 1" x 1" x 30" LONG DRIVEN PARALLEL OR PERPENDICULAR TO FENCE LINE.

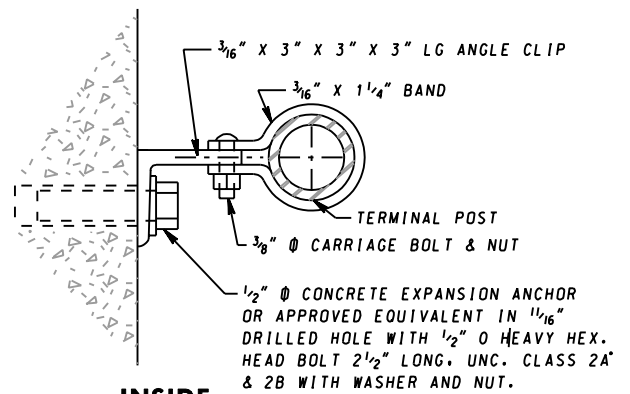


DRIVE ANCHOR FOR LINE POST ALTERNATE TO CONCRETE FOOTING



ALTERNATE POST ATTACHMENT AT BRIDGE END

OUTSIDE



INSIDE

SECTION A-A

SPECIFICATION	CATEGORY CODE ITEMS	
APPROVED	<i>Kirk G. McCall</i> DIRECTOR - OFFICE OF HIGHWAY DEVELOPMENT	
	APPROVAL • SHA REVISIONS	APPROVAL • FEDERAL HIGHWAY ADMINISTRATION
	APPROVAL 2-1-70	APPROVAL 9-14-71
	REVISED 10-1-01	REVISED 4-23-85
	REVISED	REVISED
	REVISED	REVISED

Maryland Department of Transportation
STATE HIGHWAY ADMINISTRATION
 STANDARDS FOR HIGHWAYS AND INCIDENTAL STRUCTURES
CHAIN LINK FENCE
DRIVE ANCHOR & POST ATTACHMENT
AT BRIDGE

STANDARD NO. MD 690.21