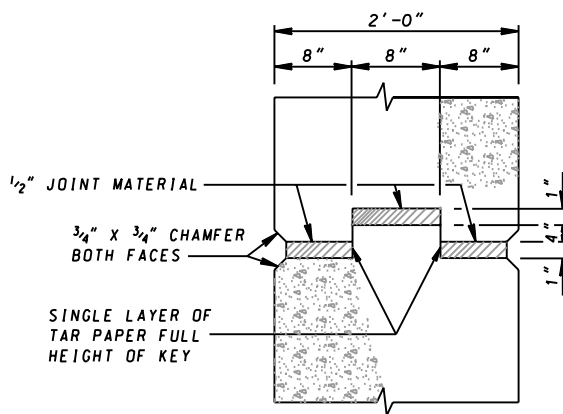
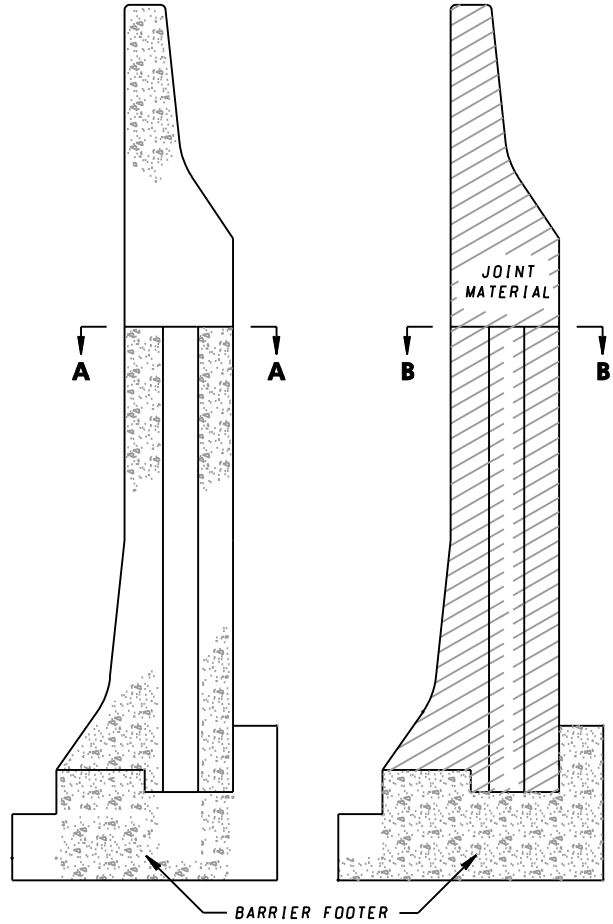


CONTRACTION JOINT
PLAN VIEW SECTION A-A



EXPANSION JOINT
PLAN VIEW SECTION B-B



TYPICAL SECTION
CONTRACTION JOINT

TYPICAL SECTION
EXPANSION JOINT

NOTES

1. EXPANSION JOINTS SHALL BE PLACED AT THE END OF EACH DAYS CONCRETE PLACEMENT REGARDLESS OF LENGTH AND REGARDLESS OF THE CONSTRUCTION METHOD.
2. HORIZONTAL REINFORCEMENT SHALL NOT PASS THROUGH CONTRACTION OR EXPANSION JOINTS.
3. SEE STANDARD NO 648.24 FOR DETAILS OF CONCRETE MEDIAN TRAFFIC BARRIER TYPE E.
4. JOINT MATERIAL SHALL BE HELD IN PLACE BY NAILS, WATERPROOF ADHESIVE OR OTHER MEANS, AS APPROVED BY THE ENGINEER.

JERSEY SHAPE - FOR REPLACEMENT PURPOSES ONLY

SPECIFICATION 604	CATEGORY CODE ITEMS
-----------------------------	---------------------

APPROVED *Kirk G. McCall*
DIRECTOR - OFFICE OF HIGHWAY DEVELOPMENT



APPROVAL • SHA REVISIONS	APPROVAL • FEDERAL HIGHWAY ADMINISTRATION
APPROVAL 7-16-90	APPROVAL 7-31-90
REVISED 10-1-01	REVISED 3-28-01
REVISED	REVISED
REVISED	REVISED

Maryland Department of Transportation
STATE HIGHWAY ADMINISTRATION
STANDARDS FOR HIGHWAYS AND INCIDENTAL STRUCTURES
CONCRETE JERSEY SHAPE MEDIAN TRAFFIC BARRIER TYPE E CONTRACTION AND EXPANSION JOINTS

STANDARD NO. MD 648.26