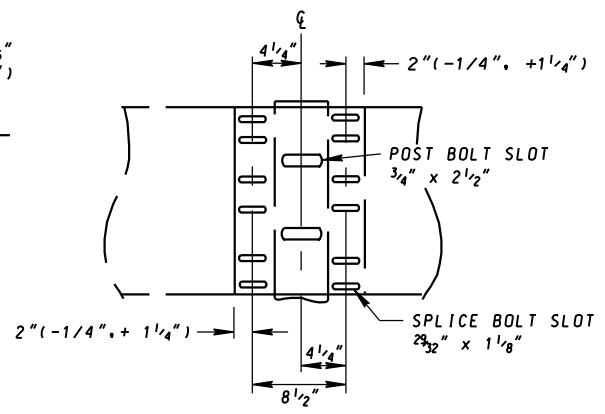
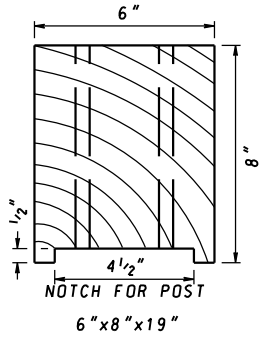


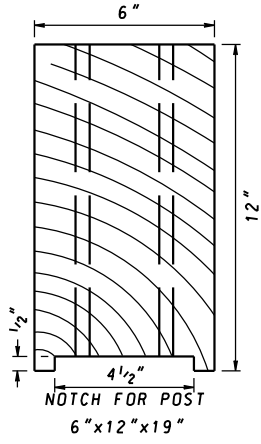
RECTANGULAR PLATE WASHER
 (GALVANIZED)



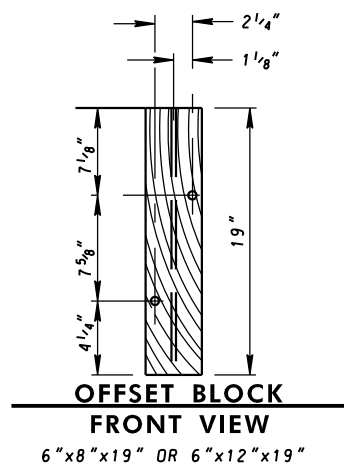
SPLICE JOINT



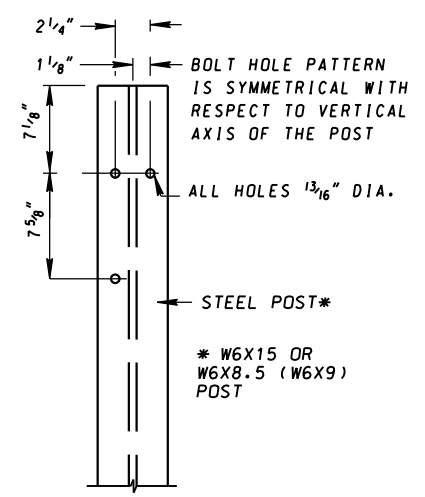
THRIE-BEAM DETAIL SIDE VIEW



OFFSET BLOCK TOP VIEW



OFFSET BLOCK FRONT VIEW



STANDARD POST FRONT VIEW

NOTES

1. STEEL POST SHALL CONFORM TO A36 AND SHALL BE GALVANIZED IN ACCORDANCE WITH A123.

SPECIFICATION 605	CATEGORY CODE ITEMS
APPROVED	<i>[Signature]</i> DIRECTOR - OFFICE OF HIGHWAY DEVELOPMENT
APPROVAL SHA REVISIONS	APPROVAL FEDERAL HIGHWAY ADMINISTRATION
APPROVAL 11-10-99	APPROVAL 7-2-99
REVISED 10-1-01	REVISED 2-24-20
REVISED 2-25-20	REVISED 2-24-22
REVISED 3-16-22	REVISED

MDOT MARYLAND DEPARTMENT OF TRANSPORTATION
 STATE HIGHWAY ADMINISTRATION

**STANDARDS FOR HIGHWAYS AND INCIDENTAL STRUCTURES
 TRAFFIC BARRIER THRIE-BEAM
 SINGLE FACE**

STANDARD NO. MD 605.29