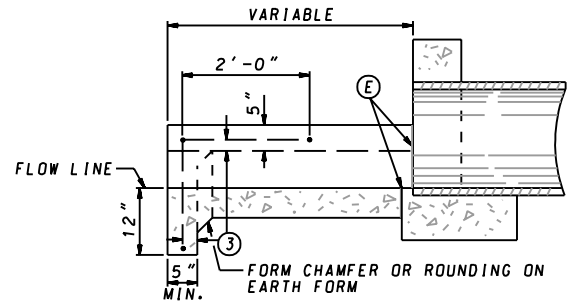
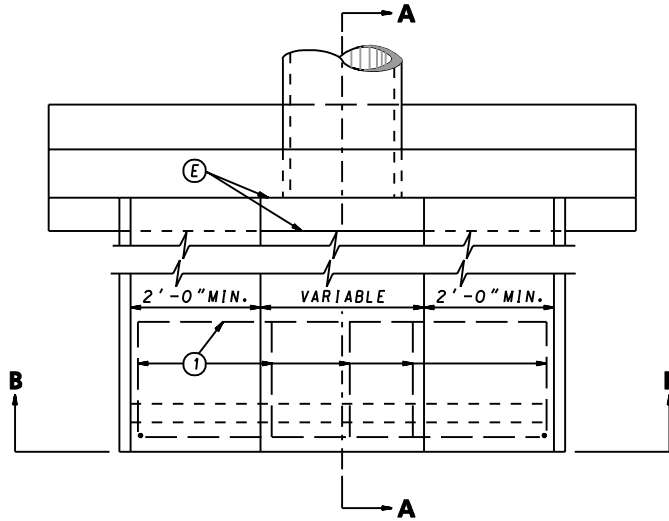


ELEVATION "B-B"



SECTION A-A

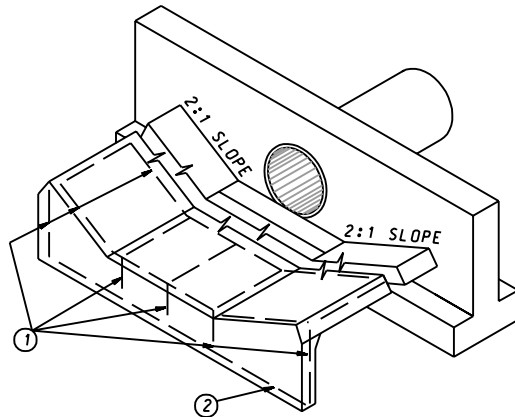


PLAN


REINFORCEMENT DATA
ALL BARS TO BE NO.3

- ① BENT BARS
- ② STRAIGHT BARS
- ③ COVER TO BE 1/2" THICKNESS OF CONC. MIN. COVER ON ENDS
- ⓔ EXPANSION MATERIAL

NOTE: COST OF TOE WALL TO BE INCIDENTAL TO SQUARE YARDS OF 5" CONCRETE GUTTER.



ISOMETRIC VIEW

SPECIFICATION	CATEGORY CODE ITEMS	
APPROVED	<i>Kirk G. McCall</i> DIRECTOR - OFFICE OF HIGHWAY DEVELOPMENT	
	APPROVAL • SHA REVISIONS	APPROVAL • FEDERAL HIGHWAY ADMINISTRATION
	APPROVAL 1-20-69	APPROVAL 1-27-69
	REVISED 10-1-01	REVISED
	REVISED	REVISED
	REVISED	REVISED

Maryland Department of Transportation
STATE HIGHWAY ADMINISTRATION
STANDARDS FOR HIGHWAYS AND INCIDENTAL STRUCTURES

TOE WALL DETAIL - 5" CONCRETE GUTTER

STANDARD NO. MD 389.02