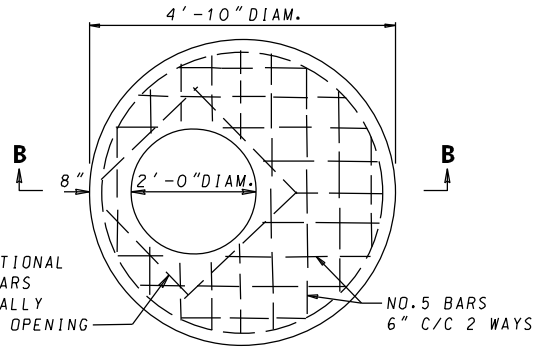
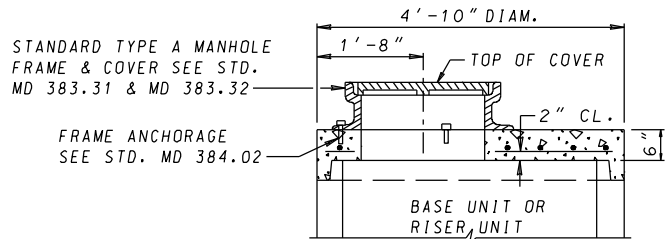


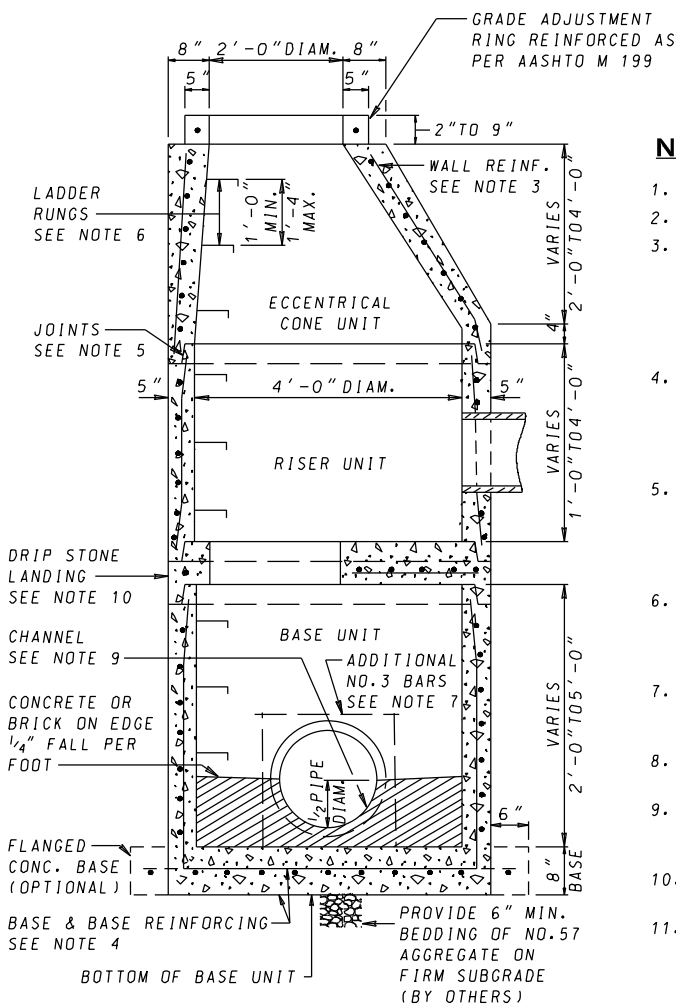
**ALTERNATE ECCENTRIC  
CONE UNIT**



**FLAT SLAB TOP**  
(SHOWN WITHOUT FRAME & COVER)



**SECTION B-B**



**SECTION VIEW**  
(SHOWN WITHOUT FRAME & COVER)

**NOTES**

1. MANHOLES SHALL BE CONSTRUCTED IN ACCORDANCE WITH AASHTO M 199.
2. CONCRETE SHALL BE MIX NO. 6 (4500 PSI).
3. WALL REINFORCEMENT FOR BASE UNITS, RISER UNITS AND ECCENTRIC CONE UNITS SHALL BE REINFORCEMENT BARS OR WELDED WIRE FABRIC WITH A MINIMUM AREA OF 0.12 IN<sup>2</sup>/FT AND MAXIMUM SPACING OF 12" FOR THE 48" DIAMETER MANHOLES. WELDED WIRE FABRIC SHALL CONFORM TO ASTM A 185 AND A 52. REINFORCEMENT SHALL MEET ASTM A 615, GRADE 60.
4. BASE REINFORCEMENT SHALL BE REINFORCEMENT BARS OR WELDED WIRE FABRIC WITH A MINIMUM AREA OF 0.20 IN<sup>2</sup>/FT AND A MAXIMUM SPACING OF 10" WITH 2" COVER FROM THE TOP OF BASE. THE BASE SHALL BE CAST MONOLITHIC WITH THE UNIT OR JOINTED PER THE MANUFACTURER'S DESIGN.
5. THE MANUFACTURER SHALL FORM MALE AND FEMALE ENDS OF JOINTS USING THEIR DESIGN. THE JOINTS SHALL BE SEALED BY THE CONTRACTOR AND MADE WATERTIGHT USING (WHERE APPLICABLE) MORTAR, RUBBER O-RING GASKETS MEETING ASTM C 361 & C 443 OR FLEXIBLE PLASTIC GASKETS MEETING AASHTO M 198 TYPE B.
6. LADDER RUNGS SHALL BE INSTALLED IN VERTICAL ALIGNMENT AT 1'-4" MAXIMUM C/C. RUNG TYPES SHALL BE IN ACCORDANCE WITH STANDARDS MD 383.91 OR MD 383.92 LADDER RUNGS SHALL BE INCIDENTAL TO THE COST OF THE MANHOLE.
7. WHEN THE DISTANCE BETWEEN MULTIPLE OPENINGS IN THE BASE UNIT OR ANY RISOR UNIT IS LESS THAN 6" ADDITIONAL NO. 3 BARS ARE REQUIRED AROUND OPENINGS.
8. LIFT HOLES OR LIFT EYES SHALL BE PROVIDED IN EACH SECTION FOR HANDLING.
9. MIX NO. 2 CONCRETE OR BRICK CHANNEL SHALL BE PROVIDED IN THE FIELD AND SHALL SLOPE 2" PER FOOT TOWARD OUTLET OR AS DIRECTED BY THE ENGINEER.
10. THE DRIP STONE LANDING SHALL BE USED ONLY WHEN THERE ARE PIPES CONNECTED TO THE RISER UNITS. SEE STD. MD 384.13 FOR DETAILS.
11. MINIMUM DEPTH PAYMENT PER EACH SHALL BE 9'-0" MEASURED FROM THE BOTOM OF THE BASE UNIT TO THE TOP OF THE MANHOLE COVER VERTICAL DEPTH PAYMENT PER LINEAR FOOT SHALL INCLUDE ALL DEPTHS IN EXCESS OF 9'-0". THE COST OF THE DRIP STONE LANDING, NO. 57 AGGREGATE GROUT, SEALANT, AND ALL NECESSARY APPURTENANCES SHALL BE INCIDENTAL TO THE PRICE BID.
12. MANHOLE HAS BEEN DESIGNED FOR HS-25 LOADING, ACCORDING TO AASHTO LRFD BRIDGE DESIGN SPECIFICATIONS.

SPECIFICATION <b>305</b>	CATEGORY CODE ITEMS
APPROVED	<i>Raff</i> DIRECTOR - OFFICE OF HIGHWAY DEVELOPMENT
	APPROVAL • SHA REVISIONS
	APPROVAL • FEDERAL HIGHWAY ADMINISTRATION
	APPROVAL 2-22-91
	APPROVAL 1-2-91
	REVISD 10-7-14
REVISD -	REVISD 9-29-14
REVISD -	REVISD -
REVISD -	REVISD -

**Maryland Department of Transportation**  
**STATE HIGHWAY ADMINISTRATION**  
STANDARDS FOR HIGHWAYS AND INCIDENTAL STRUCTURES

**48" DIAMETER PRECAST MANHOLE  
FOR 12" TO 24" PIPES**

**STANDARD NO. MD 384.01**