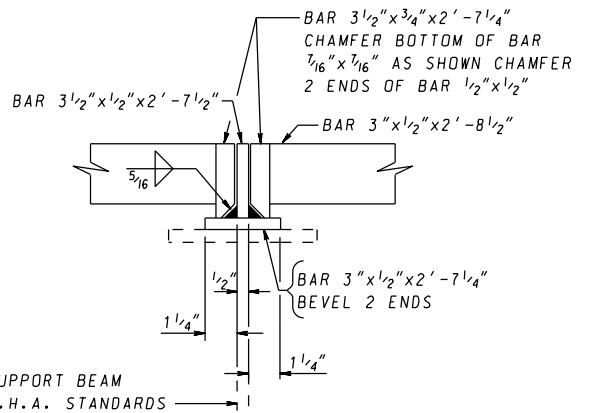
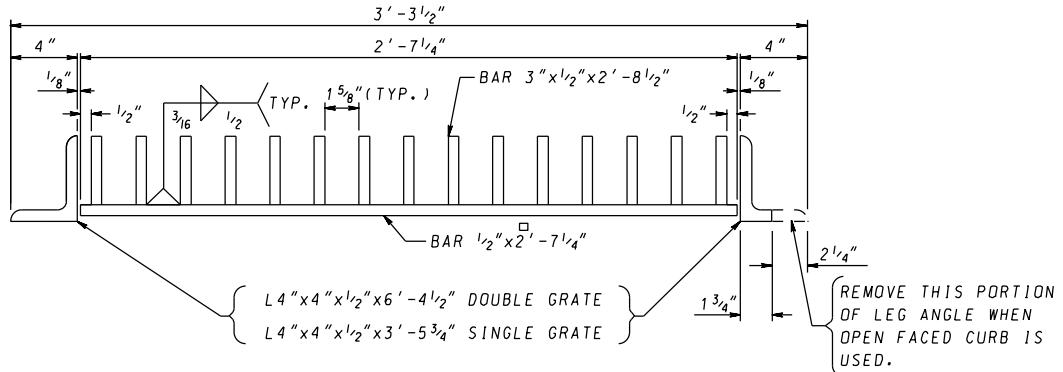


SECTION A-A

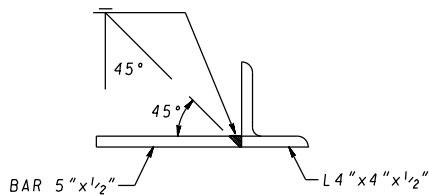


SECTION B-B

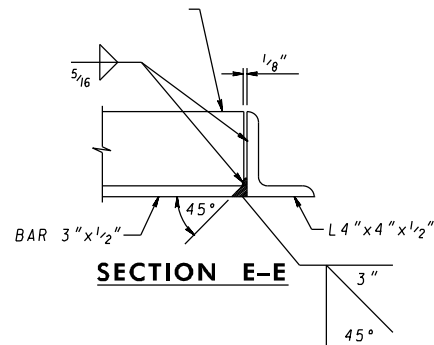
FOR SUPPORT BEAM
SEE S.H.A. STANDARDS
MD 379.04 & MD 379.05



SECTION C-C



SECTION D-D



SECTION E-E

GENERAL NOTE:

GRATE AND FRAME HAVE BEEN DESIGNED FOR HS-25 LOADING,
ACCORDING TO AASHTO LRFD BRIDGE SPECIFICATIONS

SPECIFICATION	CATEGORY CODE ITEMS
APPROVED	DIRECTOR - OFFICE OF HIGHWAY DEVELOPMENT
	APPROVAL • SHA REVISIONS
	APPROVAL • FEDERAL HIGHWAY ADMINISTRATION
	APPROVAL 4-23-70
	REVISION 7-1-09
	REVISION 10-7-14

Maryland Department of Transportation
STATE HIGHWAY ADMINISTRATION
 STANDARDS FOR HIGHWAYS AND INCIDENTAL STRUCTURES
STANDARD TYPE S INLET & COMBINATION
STEEL FRAME & GRATE ALTERNATE

STANDARD NO. MD 379.07