

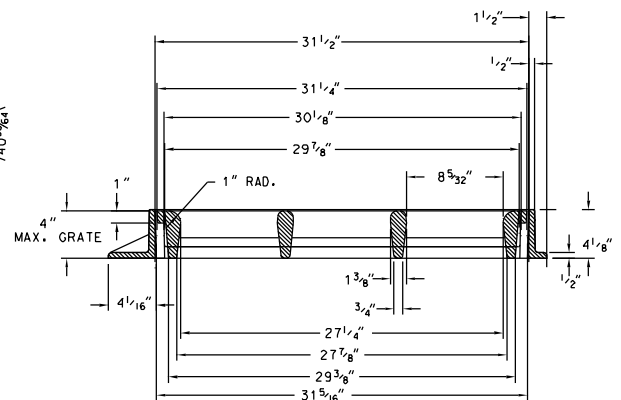
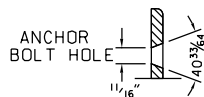
**NOTES:**

MATERIAL: CAST GRAY IRON ASTM A-48, CLASS 35B  
 FINISH: NO PAINT  
 WEIGHT (MIN.): FRAME 152#, FRAME 152#, GRATE 295# EA.

FRAMES TO BE CASTING WITH FLANGE CUT, AS SHOWN, WHEN INLET TO BE PLACED ADJACENT TO CURB OPENING. FOR FULL FLANGE/DETAILS, REFER TO THE RESPECTIVE STANDARD PLATES FOR TYPE "S" INLET.

\* CONTRACTOR IS RESPONSIBLE FOR CORRECT ORIENTATION OF THE CV-GRATE TOWARD THE DIRECTION OF FLOW.

NOTE: MANUFACTURER TO VERIFY THAT FRAME AND GRATE IS DESIGNED FOR HS-25 LOADING.



SPECIFICATION <b>305</b>	APPROVED <i>[Signature]</i> DIRECTOR - OFFICE OF HIGHWAY DEVELOPMENT	
	APPROVAL • SHA REVISIONS	APPROVAL • FEDERAL HIGHWAY ADMINISTRATION
	APPROVAL <b>2-10-04</b>	APPROVAL <b>3-31-04</b>
	REVISED <b>7-1-09</b>	REVISED <b>7-27-09</b>
	REVISED <b>10-7-14</b>	REVISED <b>9-29-14</b>
	REVISED	REVISED

**Maryland Department of Transportation**  
**STATE HIGHWAY ADMINISTRATION**  
 STANDARDS FOR HIGHWAYS AND INCIDENTAL STRUCTURES

**CURVE VANE GRATES WITH FRAME FOR DOUBLE TYPE "S" INLET (S2-CV)**

**STANDARD NO. MD 379.05-01**