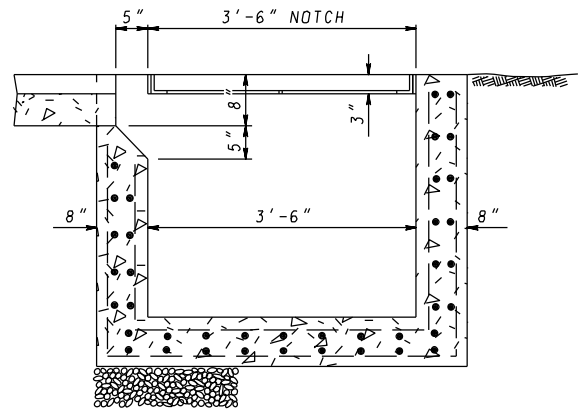
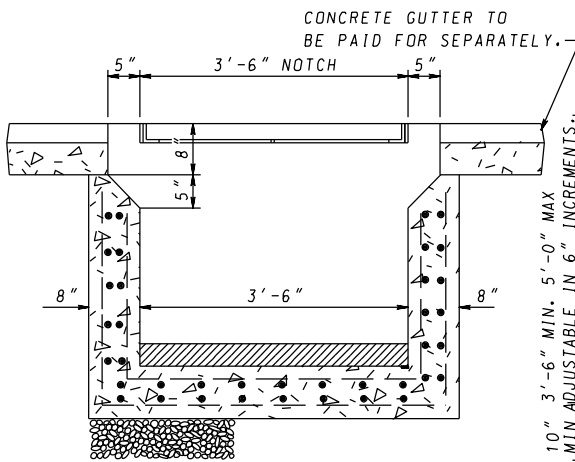


GENERAL NOTES

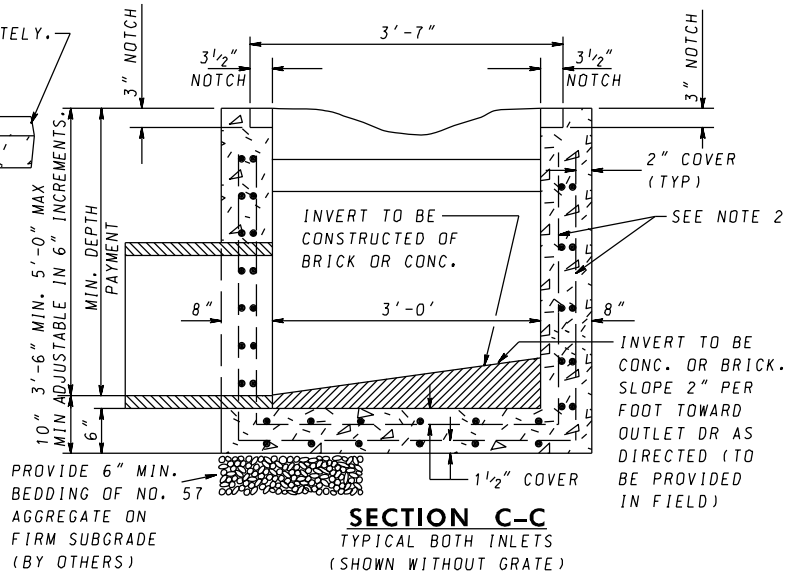
1. CONCRETE TO BE MIX. NO.6 (4500 P.S.I.)
2. REINFORCING WALLS - 2 LAYERS OF 4X4-W4.0xW4.0 WELDED WIRE FABRIC; BASE - 2 LAYERS OF 4X4 - W5.0 X W5.0 WELDED WIRE FABRIC
3. THREADED PLASTIC INSERTS TO BE PROVIDED FOR HANDLING.
4. PIPE OPENINGS TO BE PROVIDED AS REQUIRED. FOR SIZE, LOCATION AND INVERT ELEVATIONS REFER TO CONSTRUCTION PLANS.
5. FOR GRATE DETAILS SEE STANDARD MD-378-05. GRATE TO BE AS SHOWN OR FURNISH APPROVED EQUIVALENT.
6. "MINIMUM DEPTH" PAYMENT PER "EACH" INLET INCLUDES DEPTHS UP TO 3'-6" . VERTICAL DEPTH PAYMENT PER "LINEAR FOOT" FOR DEPTHS IN EXCESS OF 3'-6" .
7. THIS INLET IS TO BE USED IN MEDIAN DITCHES AND ANY DITCH BEYOND THE SHOULDER AREA. THIS INLET IS NOT TO BE USED IN ROADWAY OR SHOULDER PAVEMENT AREAS OR WHERE BICYCLE OR MOTORCYCLE TRAFFIC IS ANTICIPATED.
8. INLET HAS BEEN DESIGNED FOR HS-25 LOADING, ACCORDING TO ASHTOLRFD BRIDGE DESIGN SPECIFICATIONS



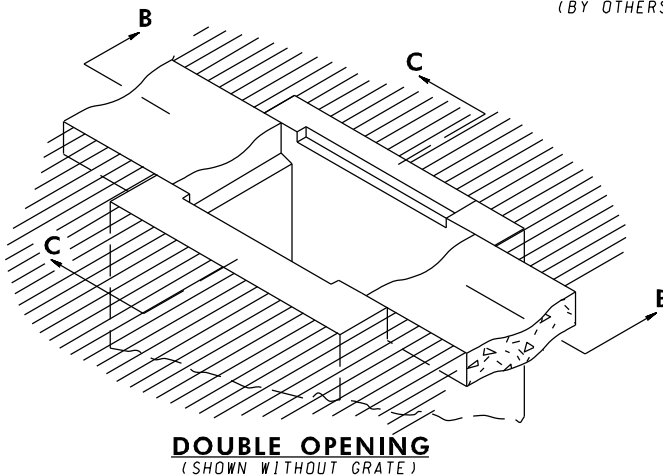
SECTION B-B SINGLE OPENING



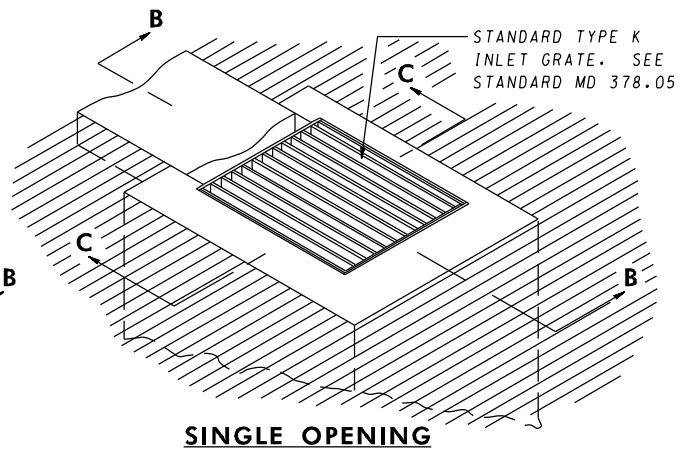
SECTION B-B DOUBLE OPENING



**SECTION C-C
TYPICAL BOTH INLETS
(SHOWN WITHOUT GRATE)**



**DOUBLE OPENING
(SHOWN WITHOUT GRATE)**



SINGLE OPENING

SPECIFICATION 305	CATEGORY CODE ITEMS
APPROVED	DIRECTOR - OFFICE OF HIGHWAY DEVELOPMENT
	APPROVAL • SHA REVISIONS
	APPROVAL • FEDERAL HIGHWAY ADMINISTRATION
	APPROVAL 6-4-84
	REVISD 10-1-01
	REVISD 10-7-14

Maryland Department of Transportation
STATE HIGHWAY ADMINISTRATION
 STANDARDS FOR HIGHWAYS AND INCIDENTAL STRUCTURES
PRECAST STANDARD
SINGLE OR DOUBLE OPENING
TYPE K INLET OPEN-END GRATE
STANDARD NO. MD 378.11