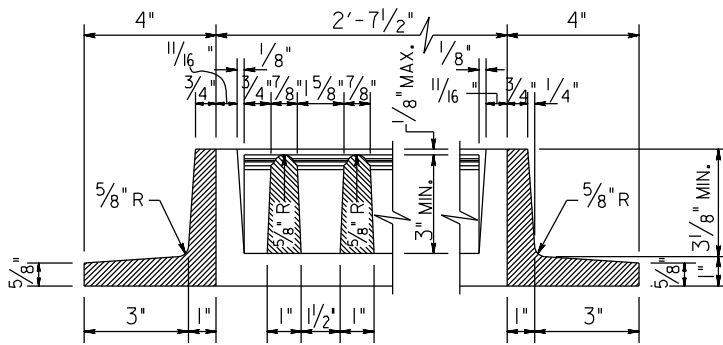
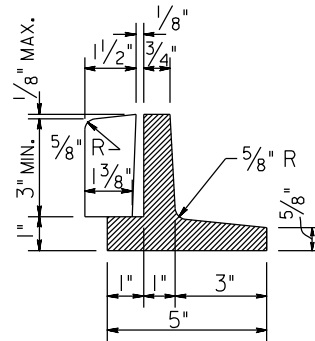


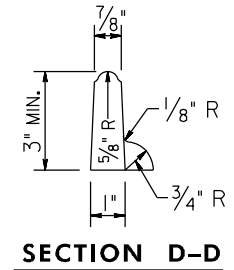
PLAN



SECTION B-B



SECTION C-C



SECTION D-D

MATERIAL: CAST IRON (SEE LATEST S.H.A. SPECIFICATIONS).

**AVERAGE WEIGHTS:
 FRAME-270 ± LBS.
 GRATE-340 ± LBS.**

NOTE: MANUFACTURER TO VERIFY THAT FRAME IS DESIGNED FOR HS-25 LOADING

SPECIFICATION 305	CATEGORY CODE ITEMS
APPROVED	DIRECTOR - OFFICE OF HIGHWAY DEVELOPMENT
	APPROVAL • SHA REVISIONS
	APPROVAL • FEDERAL HIGHWAY ADMINISTRATION
	APPROVAL 2-28-75
	REVISD 3-15-06
	REVISD 10-7-14

Maryland Department of Transportation
STATE HIGHWAY ADMINISTRATION
 STANDARDS FOR HIGHWAYS AND INCIDENTAL STRUCTURES

**STANDARD TYPE K INLET
 SINGLE FRAME AND GRATE**

STANDARD NO.

MD-378.06