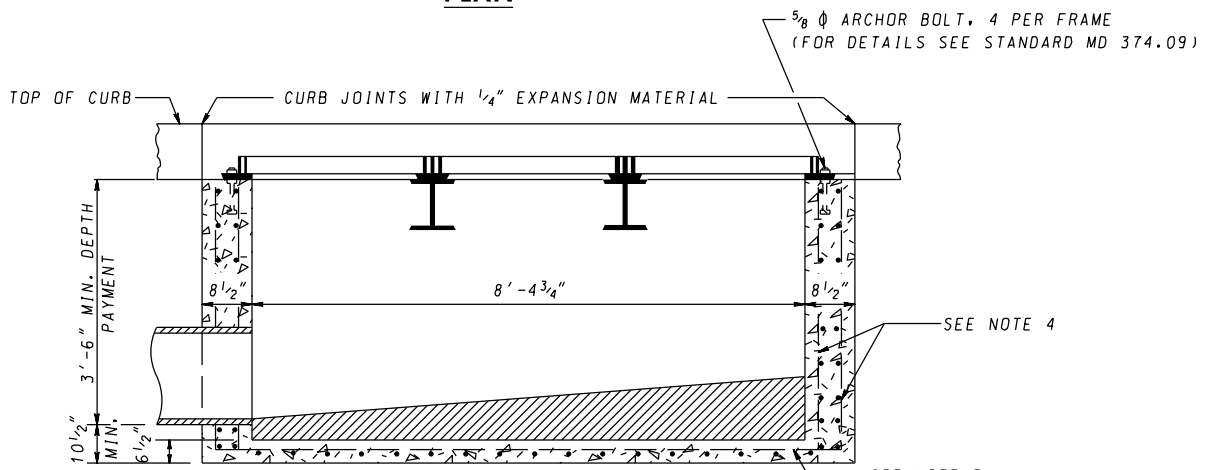


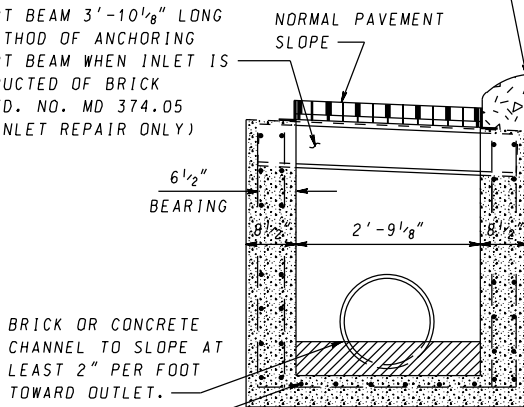
PLAN



SECTION A-A

WB x 31 (GALVANIZED)
SUPPORT BEAM 3'-10 1/8" LONG
FOR METHOD OF ANCHORING
SUPPORT BEAM WHEN INLET IS
CONSTRUCTED OF BRICK
SEE STD. NO. MD 374.05
(FOR INLET REPAIR ONLY)

SECTION B-B



THIS INLET TO BE
USED WITH TYPE
B OR C CURB ONLY

TYPE B OR TYPE C CURB
SEE STD. NO. MD 620.02

GENERAL NOTES

1. CONCRETE TO BE MIX NO. 2 (3,000 PSI).
2. SIZE, TYPE, AND DIRECTION OF INLET CONNECTION WILL VARY TO SUIT CONDITIONS.
3. SEE SHA LATEST SPECIFICATIONS FOR INLETS.
4. WHEN "A" IS LESS THAN 7'-0", WALL REINFORCEMENT SHALL BE ONE LAYER OF NO. 4 DEFORMED BARS @ 6" C/C, TWO WAYS, AND HAVE 3 1/2" COVER. WHEN "A" IS GREATER THAN 7'-0" AND LESS THAN 15'-0", WALL REINFORCEMENT TO BE TWO LAYERS OF NO. 4 DEFORMED BARS @ 6" C/C, TWO WAYS, ON INSIDE AND OUTSIDE WALLS WITH 2" COVER.
5. BASE REINFORCEMENT SHALL BE ONE LAYER OF NO. 4 DEFORMED BARS @ 6" C/C, TWO WAYS, WITH 2" COVER FROM TOP OF BASE.
6. PLACE 1/4" EXPANSION MATERIAL OF THE SAME TYPE APPROVED FOR PAYMENT IN BETWEEN THE FRAME AND ABUTTING RIGID PAVEMENT AND BETWEEN ENDS OF INLET CURB AND NORMAL CURB.
7. BRICK FOR MASONRY TO COMPLY WITH THE SHA SPECIFICATION.
8. FOR UNDEPRESSED INLETS USE NORMAL PAVEMENT SLOPE.
9. LADDER RUNGS SHALL BE IN ACCORDANCE WITH STD MD 383.91 AND MD 383.92 OR AS DIRECTED BY THE ENGINEER.
10. FROM THE CURB LINE, INLET HAS BEEN DESIGNED FOR HS-25 LOADING ACCORDING TO AASHTO LRFD BRIDGE DESIGN SPECIFICATIONS AND TO A MAXIMUM DEPTH OF 15'-0".

SPECIFICATION 305	CATEGORY CODE ITEMS
APPROVED	DIRECTOR - OFFICE OF HIGHWAY DEVELOPMENT
	APPROVAL • SHA REVISIONS
	APPROVAL • FEDERAL HIGHWAY ADMINISTRATION
	APPROVAL 8-9-82
	REVISD 10-1-01
	REVISD 10-7-14

Maryland Department of Transportation
STATE HIGHWAY ADMINISTRATION
STANDARDS FOR HIGHWAYS AND INCIDENTAL STRUCTURES

TRIPLE WR INLET

STANDARD NO. MD 374.08