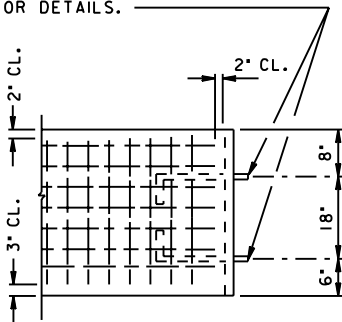
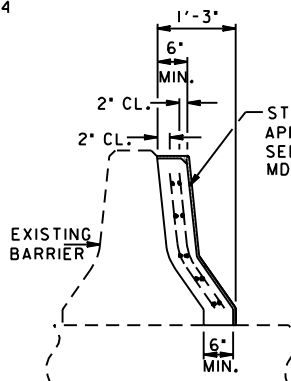


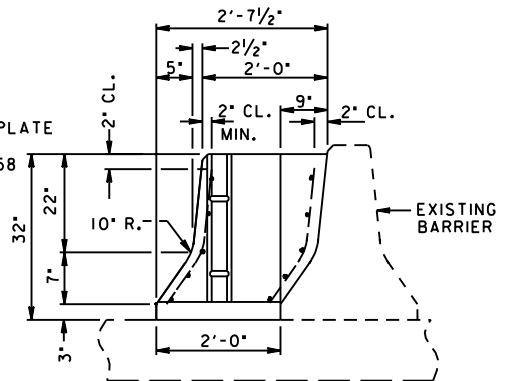
CONNECTOR LOOPS (RECEIVES THE CONNECTOR PIN) SEE STD. MD 104.01-54 FOR DETAILS.



VIEW C-C



SECTION B-B
(APPROACH END)



SECTION A-A
(TRAIL END)

NOTES

1. CONCRETE SHALL BE CONCRETE MIX NO. 6 (4500 PSI).
2. REINFORCEMENT SHALL BE GALVANIZED OR EXPOXY COATED 6"x6" - W2.9xW2.9 WELDED WIRE FABRIC.
3. ONE CONNECTOR PIN SHALL BE FURNISHED WITH EACH BARRIER. SEE STD. MD 104.01-41 FOR DETAILS OF CONNECTOR PIN.
4. THE APPROACH PLATE SHALL BE FABRICATED USING 1/2" THICK STEEL PLATE BENT OR WELDED TO THE CONFIGURATION SHOWN ON STD. MD 104.01-58 AND GALVANIZED AFTER FABRICATION. THE APPROACH PLATE SHALL BE ANCHORED TO THE PRECAST TEMPORARY BARRIER TRANSITION AND TO THE EXISTING CONCRETE BARRIER IN THE FIELD TO ACHIEVE PROPER PLACEMENT AND HOLE ALIGNMENT WITH 6 EXPANSION ANCHORS (EACH END) AND 1/8" Ø HEX HEAD BOLTS.
5. THE COST OF THE APPROACH PLATE, ANCHORS, BOLTS, CONNECTOR PIN, LABOR, ETC. SHALL BE INCIDENTAL TO THE UNIT PRICE PER EACH FOR PRECAST TEMPORARY 32 INCH F SHAPE CONCRETE BARRIER TRANSITION LEFT SIDE APPROACH.

SPECIFICATION 104	CATEGORY CODE ITEMS
-----------------------------	---------------------

APPROVED *Kirk G. McCall*
DIRECTOR - OFFICE OF HIGHWAY DEVELOPMENT



APPROVAL • SHA REVISIONS	APPROVAL • FEDERAL HIGHWAY ADMINISTRATION
APPROVAL 8-20-03	APPROVAL 9-23-03
REVISED 2-10-04	REVISED 3-31-04
REVISED	REVISED
REVISED	REVISED

Maryland Department of Transportation
STATE HIGHWAY ADMINISTRATION
STANDARDS FOR HIGHWAYS AND INCIDENTAL STRUCTURES
PRECAST TEMPORARY 32 INCH F SHAPE
CONCRETE TRAFFIC BARRIER TRANSITION-
LEFT SIDE APPROACH

STANDARD NO.

MD 104.01-57