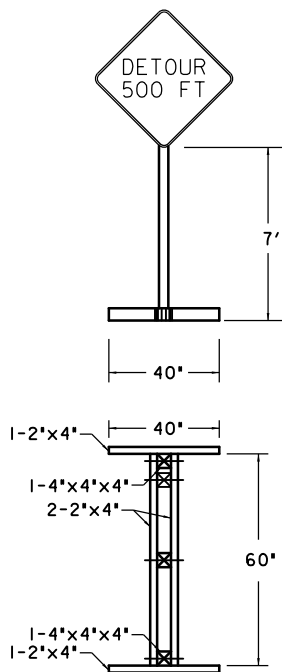
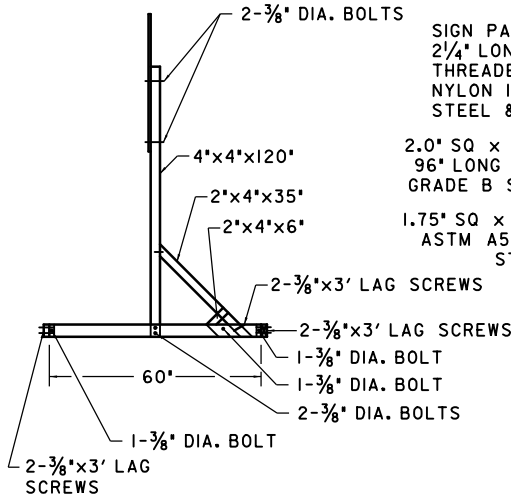


TEMPORARY TRAFFIC CONTROL TYPICAL APPLICATION SKID MOUNTED SIGN SUPPORTS



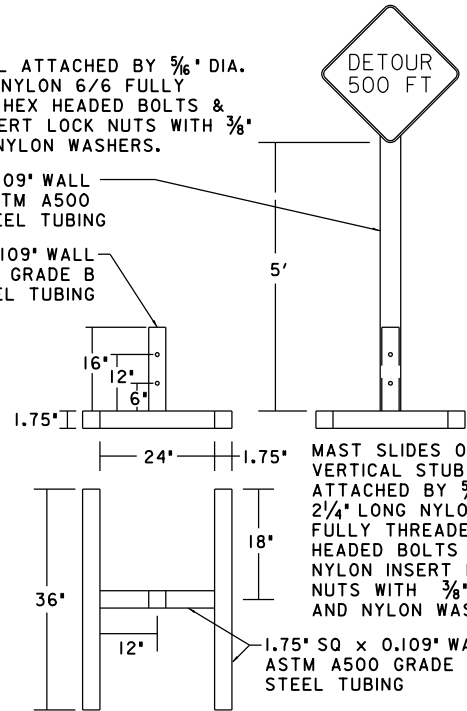
**SINGLE-POST WOOD
(36" x 36" MAX. SIGN SIZE)**



SIGN PANEL ATTACHED BY 5/16" DIA. 2 1/4" LONG NYLON 6/6 FULLY THREADED HEX HEADED BOLTS & NYLON INSERT LOCK NUTS WITH 3/8" STEEL & NYLON WASHERS.

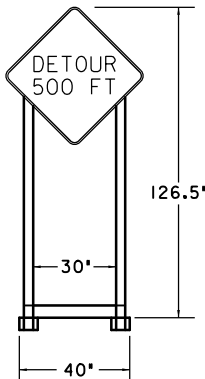
2.0" SQ x 0.109" WALL 96" LONG ASTM A500 GRADE B STEEL TUBING

1.75" SQ x 0.109" WALL ASTM A500 GRADE B STEEL TUBING

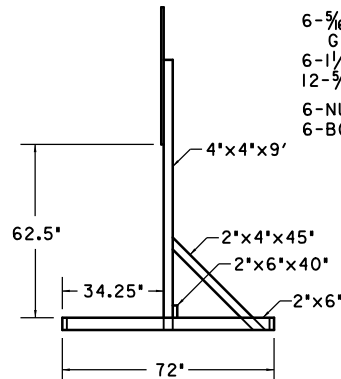


**SINGLE-POST SQUARE TUBULAR STEEL
(36" x 36" MAX. SIGN SIZE)**

MAST SLIDES OUTSIDE VERTICAL STUB ATTACHED BY 5/16" DIA. 2 1/4" LONG NYLON 6/6 FULLY THREADED HEX HEADED BOLTS AND NYLON INSERT LOCK NUTS WITH 3/8" STEEL AND NYLON WASHERS.



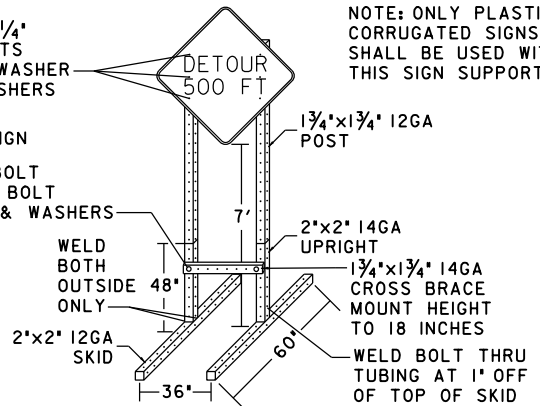
**DOUBLE-POST WOOD
(48" x 48" MAX. SIGN SIZE)**



6-5/16" BOLT X 2 1/4" GRADE 5 BOLTS
6-1 1/2" PLASTIC WASHER
12-5/16" FLAT WASHERS
6-NUTS
6-BOLTS PER SIGN

3/8" 4 1/4" BOLT GRADE 5 BOLT W/ NUT & WASHERS

NOTE: ONLY PLASTIC CORRUGATED SIGNS SHALL BE USED WITH THIS SIGN SUPPORT



**DOUBLE-POST SQUARE TUBULAR STEEL
(48" x 48" MAX. SIGN SIZE)**

NOTE: TEMPORARY SKID SIGN SUPPORTS SHALL BE MASH OR NCHRP-350 APPROVED DESIGNS AS SHOWN

SPECIFICATION 104	CATEGORY CODE ITEMS
APPROVED	<i>Cedric Wall</i> DIRECTOR - OFFICE OF TRAFFIC AND SAFETY
APPROVAL REVISIONS	APPROVAL FEDERAL HIGHWAY ADMINISTRATION
APPROVAL 8-11-10	APPROVAL 10-5-10
REVISED 2-23-18	REVISED 6-1-17
REVISED	REVISED
REVISED	REVISED

MDOT MARYLAND DEPARTMENT OF TRANSPORTATION
STATE HIGHWAY ADMINISTRATION

STANDARDS FOR HIGHWAYS AND INCIDENTAL STRUCTURES

**ROADSIDE SIGN SUPPORTS
SKID MOUNTED FEATURES (WOOD & STEEL)**

STANDARD NO.

MD 104.01-17 D