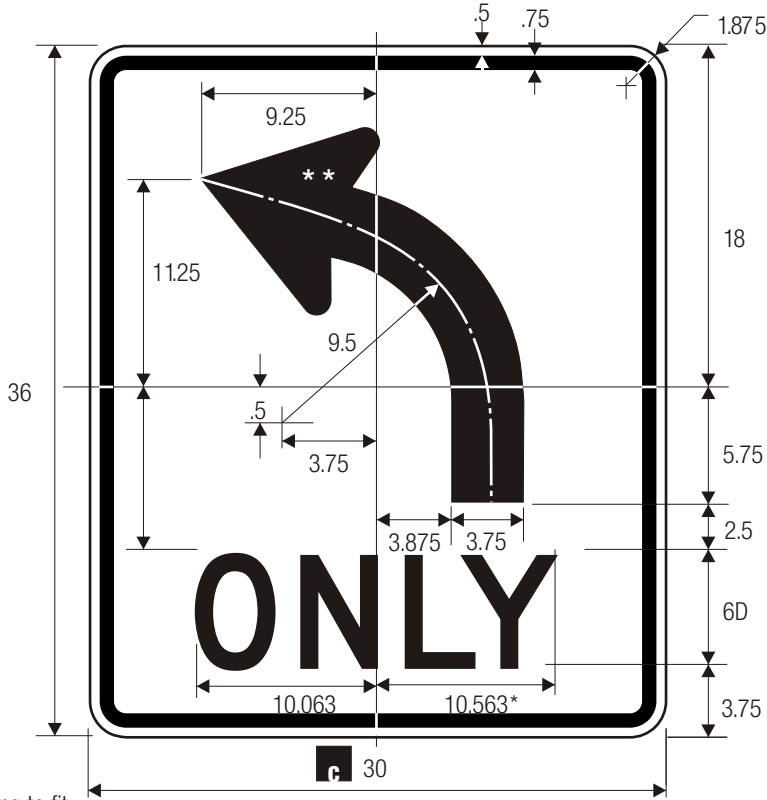


SHA REFERENCES

MdMUTCD SECTION - 2B.20, 2B.21, 5B.04



R3-5R

SHA REFERENCES

MdMUTCD SECTION - 2B.20, 2B.21, 5B.04

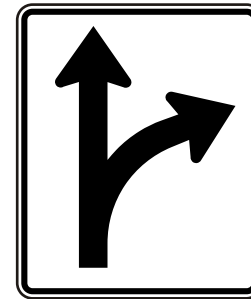
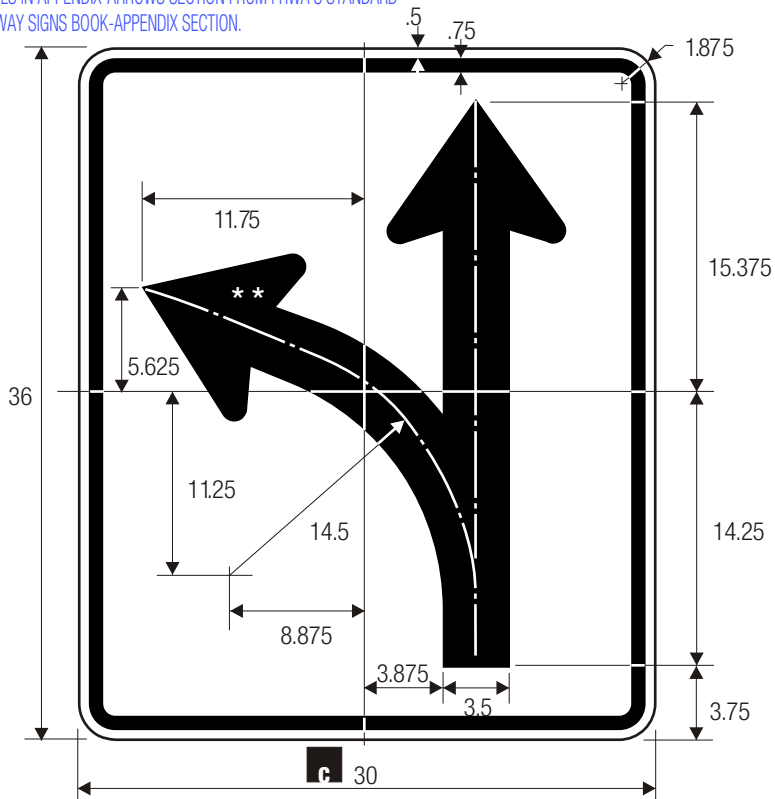
*Reduce spacing to fit.

R3-5L MANDATORY MOVEMENT LANE CONTROL

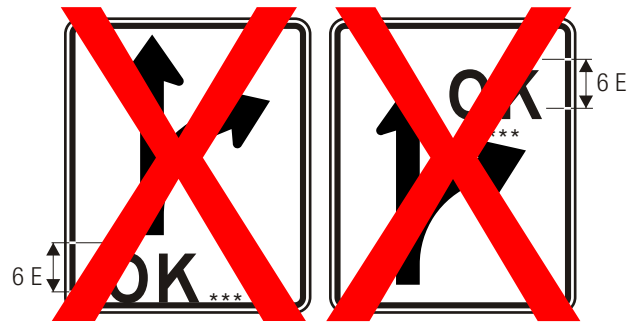
SHA REFERENCES

MdMUTCD SECTION - 2B.20, 2B.22, 5B.04

SHA * FOR ARROWHEAD DIMENSIONS REFER TO STANDARD ARROW DETAILS IN APPENDIX-ARROWS SECTION FROM FHWA'S STANDARD HIGHWAY SIGNS BOOK-APPENDIX SECTION.



SHA ***Optional, add letters.



SHA

R3-6R

SHA

R3-6L OPTIONAL MOVEMENT LANE CONTROL

SHA REFERENCES

MdMUTCD SECTION - 2B.20, 2B.22, 5B.04

COLORS: LEGEND — BLACK
BACKGROUND — WHITE (RETROREFLECTIVE)