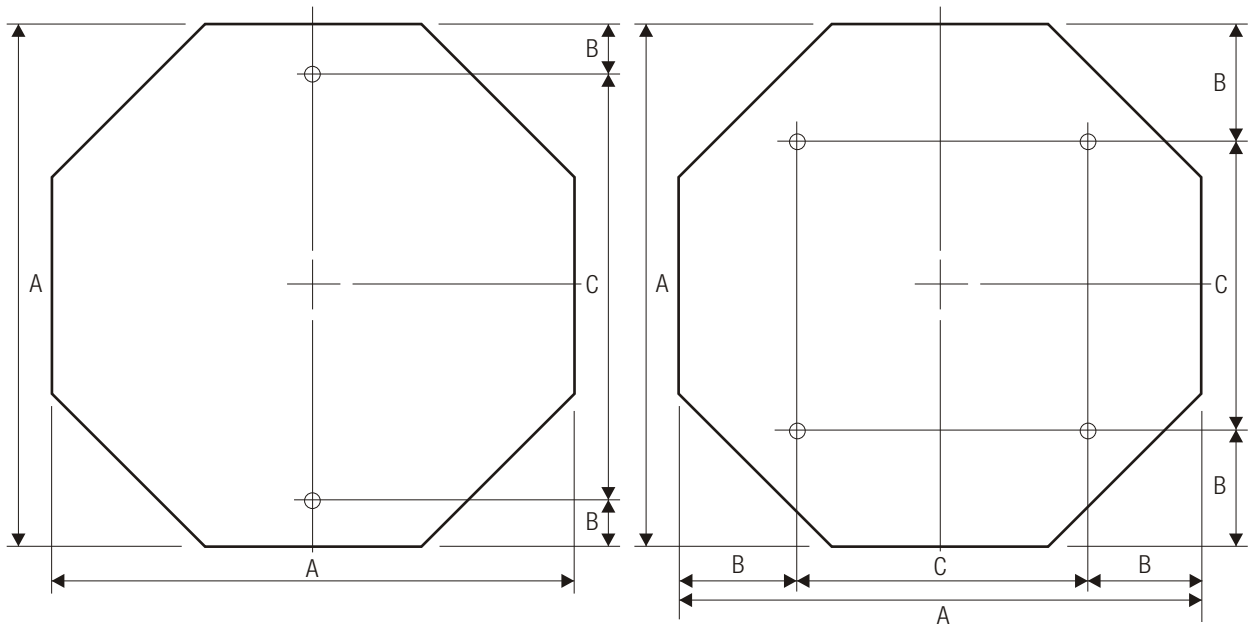


# BLANK STANDARDS

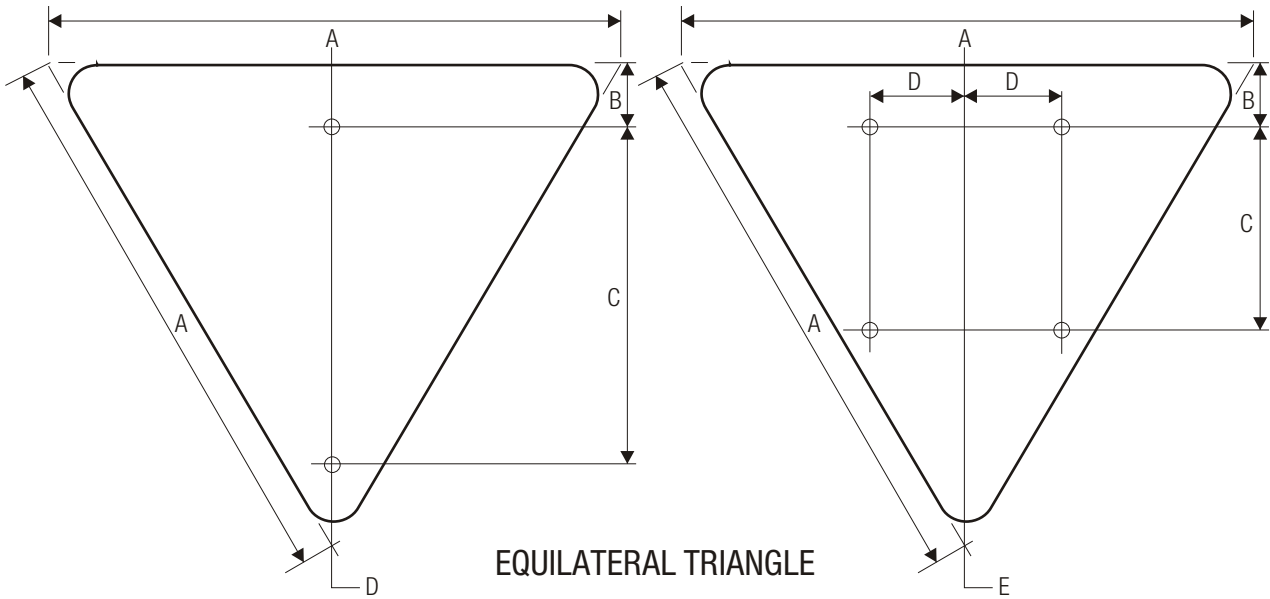
(ENGLISH)



OCTAGON

A	B	C
24	3	18
30	3	24
36	3	30

A	B	C
48	9	30



EQUILATERAL TRIANGLE

A	B	C	D
30	3	18	1.5
36	3	21	2

A	B	C	D	E
48	3	12	12	3
60	3	18	15	4