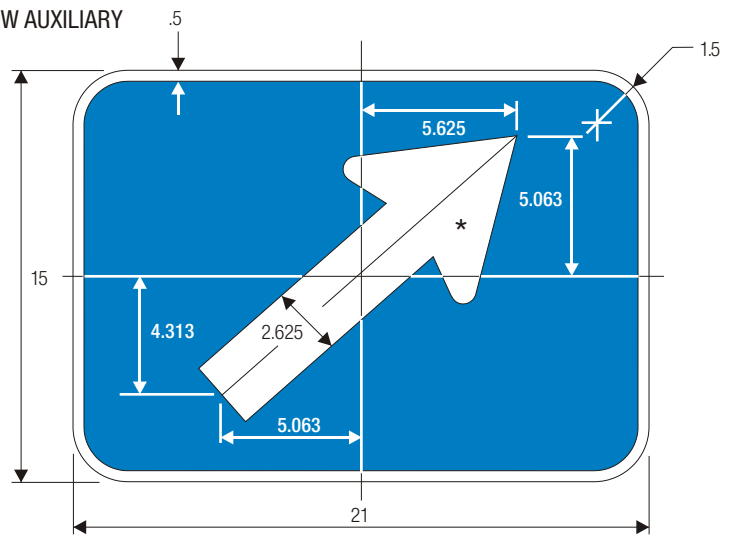


DIRECTIONAL ARROW AUXILIARY



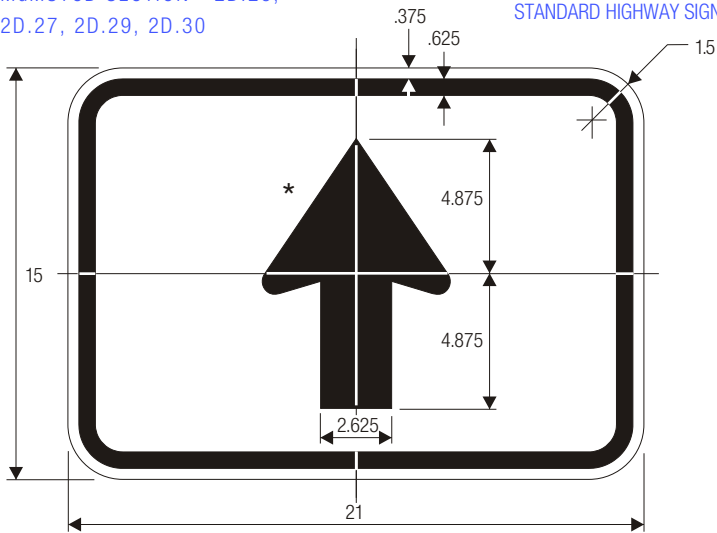
**SHA REFERENCES**  
MdMUTCD SECTION - 2D.26,  
2D.27, 2D.29, 2D.30

M6-2

**SHA** \*FOR ARROWHEAD DIMENSIONS REFER TO STANDARD ARROW  
DETAILS IN APPENDIX-ARROWS SECTION FROM FHWA'S  
STANDARD HIGHWAY SIGNS BOOK-APPENDIX SECTION.

M6-2 (Interstate)

**SHA REFERENCES**  
MdMUTCD SECTION - 2D.26,  
2D.27, 2D.29, 2D.30

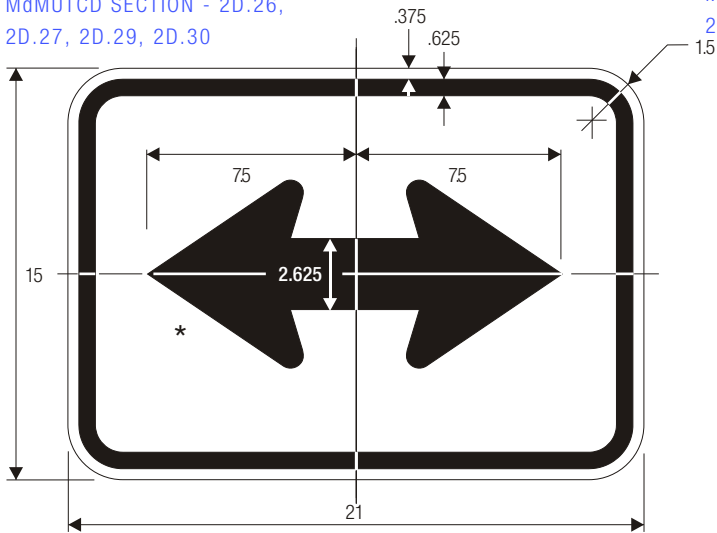
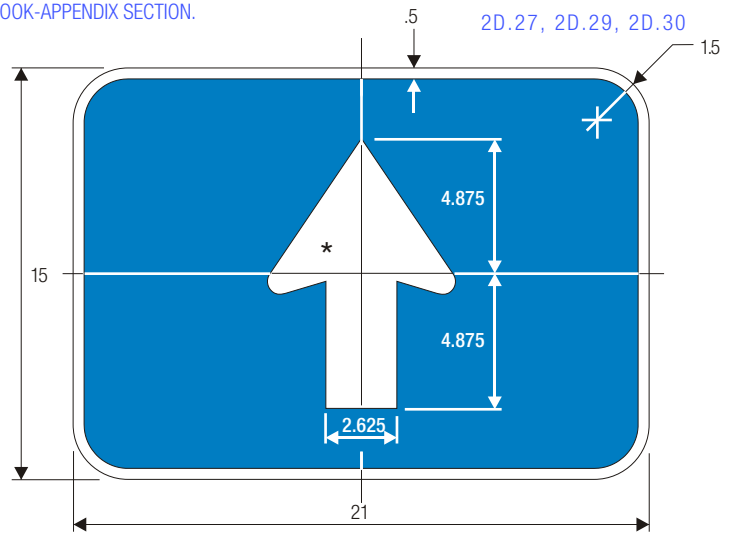


**SHA REFERENCES**  
MdMUTCD SECTION - 2D.26,  
2D.27, 2D.29, 2D.30

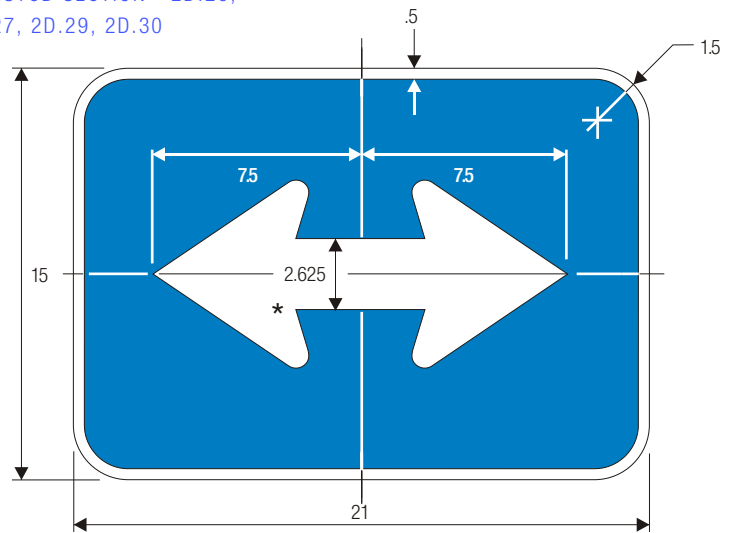
M6-3

**SHA REFERENCES**  
MdMUTCD SECTION - 2D.26,  
2D.27, 2D.29, 2D.30

M6-3 (Interstate)



M6-4



M6-4 (Interstate)

COLORS: LEGEND —BLACK  
BACKGROUND —WHITE (RETROREFLECTIVE)

COLORS: LEGEND —WHITE (RETROREFLECTIVE)  
BACKGROUND —BLUE (RETROREFLECTIVE)